

Supercharge your workflows.

# Ceramill Matron. Serious Fun.



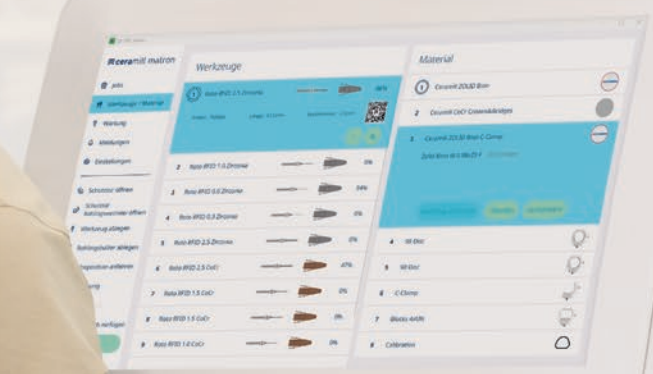


# Ceramill Matron.

## Supercharge your workflows.

Ceramill Matron is **the fifth generation milling machine** from Amann Girrbach, with superior properties compared to machines of older generations. Its extraordinary product features make it **stronger, faster and, smarter** than conventional milling machines – offering maximum ease of use and simply being more fun to work with. Whether you are a CAD/CAM expert or newcomer, you will benefit from the **outstanding precision** and **quality milling results across a wide range of materials**, particularly in the field of carbide processing.

Newly developed and innovative **Vmax arm offering maximum strength and precision**, retractable RFID-supported **Performance Blank Changer** for tool and blank management, and **guided workflows on the 21.5" touch display** are just some of the features which make the Ceramill Matron so unique. **Integration** into the laboratory environment is incredibly easy to implement. Embedded in the proven **Amann Girrbach workflow**, the Ceramill Matron is the perfect solution for dental laboratories and in-house laboratories that wish to advance digitization of their prosthetic workflows and have the highest demands for **quality, cost-effectiveness and who enjoy exercising their craftsmanship**.



# Serious Fun.

## Experience a new dimension of lightness.

Ceramill Matron is the perfect match for those who value maximizing operating convenience in their daily work just as much as uncompromising results and maximum precision.

### Simplicity of operation and interactive user experience

#### Maximum operating convenience

- ✓ 21.5" Touch display
- ✓ Guided workflows directly on the machine
- ✓ SnapMag for easiest tool loading outside the machine
- ✓ Plug&Play supply unit with 24/7 extraction
- ✓ Flexible, can also be used as a benchtop machine
- ✓ Minimal maintenance/cleaning effort required

### Machine concept without compromises - also for metal processing

#### Maximum versatility

- ✓ All materials, wide range of indications
- ✓ Metal processing without limitations
- ✓ Wet and dry milling as well as wet grinding
- ✓ Maximum precision, high surface quality
- ✓ High fabrication speeds
- ✓ Low wear of milling cutters
- ✓ Innovative Vmax arm
- ✓ Full metal holder
- ✓ Non-intrusive zero-point clamping system

### Automation and intelligence

#### Valuable support

- ✓ RFID-supported tools and blanks
- ✓ Retractable Performance Blank Changer
- ✓ Automated inventory
- ✓ Live camera for documentation and servicing purposes
- ✓ Online reporting of machine status\*
- ✓ AG.Live link\*

\*Coming soon.

# The foundation for your success. Machine highlights at a glance.

## The advantages at a glance



### High performance metal machine with 3 or 6mm cutter shank\*

The robust, high-performance design makes Ceramill Matron a unique asset in the field of metal processing: mill CoCr and titanium up to 16mm in-house at unique speed and precision – without the long distances to and from the milling center.



### Performance Blank Changer

The 8-fold blank changer ensures fully automated work processes in the field of prosthetic fabrication. For carefree workflows and high efficiency.



### 45° A/B axes and 5-axis+ milling for power and detailed precision

The unique 45° arrangement of the A/B axes ensures maximum rigidity and highest precision with vibration damping properties in the milling process. The optimum conditions for perfect milling results, especially with regard to metals.



### SnapMag: Magnetic Tool Tray

The magnetic, RFID-supported 11-tool carrier makes cutter management simplicity in itself – an unlimited number of cutters can be easily introduced via Plug&Play. With intelligent preloading, many materials and indications can be processed without the need for changing.



### Guided workflows on the 21.5" display

The high-resolution display of the Ceramill Matron guides you safely through all workflows. Check cutter wear, prioritize your workflows or connect to our cloud platform AG.Live\*\*. Ceramill Matron offers optimum support.

\*Machine available at launch with 3mm and with 6mm as from Q2 2024. Machines can be retrofitted at any time.

\*\* Coming soon.



**Direct user interface 21.5" – the digital communication unit**  
Intuitive operation for maximum comfort

**Optional auto-calibration – equals convenient quality assurance**  
Automatic calibration for permanent highest restoration quality

**SnapMag**  
Magnetized tool magazine

**Innovative Vmax arm**  
Power and precision for optimum milling and grinding results

**High Performance Metal Machine**  
For milling CoCr and titanium in-house

**AG.Live – the digital interface\*\***  
The gateway to the digital environment

**Modern, compact design**  
Compact design for small footprint

**Performance Blank Changer**  
The 8-fold blank changer ensures fully automated work processes

**Interior Full-HD camera – for a full view**  
Camera for optimal support

<p><b>up to 60%</b> time savings when grinding</p>	<p><b>speedlining grinding</b></p>	<p><b>milling</b></p>	<p><b>sculpturing</b></p>	<p><b>ideal for Ti and CoCr</b></p>	<p><b>RFID</b></p>	<p><b>READY FOR AG.LIVE</b></p>
--	------------------------------------	-----------------------	---------------------------	-------------------------------------	--------------------	---------------------------------



**Innovative Vmax arm with 45° A/B axis arrangement**

# Stressless with Ceramill Matron. How you can benefit from workflows.

At Amann Girrbach, we are convinced that the foundation for successful processes in the dental laboratory and practice is not merely limited to the performance of the products used. In the future, linking them via digital workflows will also become increasingly important. On the one hand, this applies to processes that are restricted purely to the dental laboratory or purely to the dental practice, but on the other hand it applies even more to processes in which both parties interact with each other or are closely linked via a practice laboratory. Here, we have always attached great importance to offering safe, validated processes in which all system components are optimally matched to each other to be able to guarantee outstanding results. Nevertheless, our systems are open enough to integrate third party products at relevant points, so that users remain flexible at all times and can adapt our ecosystem fully to their individual situation.

Smooth workflows were also a cornerstone in the development of Ceramill Matron. As a result, users can benefit from simple operation and an interactive user experience due to numerous intelligent automation features, as well as manage their daily work routine stress-free even with a high daily volume.

”

For me, the Ceramill Matron can be described in 4 words: Intuitive, powerful, trend-setting and multifunctional. For me, it represents the design-strong gap between Ceramill Motion 3 and Ceramill Matik and, thanks to its openness to future developments, it is also absolutely future-proof.



Florian Barthel CDT,  
HAL-Dent Zahntechnik GmbH, Halle/Saale, Germany

”

As a laboratory that has worked extensively with cobalt chrome, we are very impressed by the smoothness of the Ceramill Matron while milling this extremely hard material. This results in long milling cutter service lives and hence a plus in the efficient use of resources.



Andreas Zeller CDT & Moritz Zeller CDT,  
Zeller Zahntechnik, Ulm, Germany

”

In terms of its technical design, the Ceramill Matron is the Ferrari among the machines. Even more so, as the specifications under the hood are absolutely promising.



Martin Luczak CDT,  
Dortmund, Germany





# Venture into a new era: The 5<sup>th</sup> Generation Mill

With the introduction of the first Ceramill Motion milling machine in 2009, Amann Girrbach laid the foundation of a success story: the advancement of digital technologies and CAD/CAM in the dental laboratory have changed the job profile of the dental technician ever since. As a pioneer in the dental CAD/CAM, Amann Girrbach played a decisive role in this development with the introduction of the Ceramill Motion 1 as the first complete system on the market, but this was only the beginning. Over a decade later, the dental world looks back on 4 generations of milling machines that have made work in the dental laboratory increasingly more precise, more efficient, and more simple.

## Discover Ceramill Matron, the first fifth generation milling machine!



1<sup>st</sup> generation

### **ceramill**<sup>®</sup>

- ✓ The first 'mainstream' dental milling machine
- ✓ Specialized for the efficient dry processing of zirconia and acrylics
- ✓ The advent of CAD/CAM in-house fabrication



2<sup>nd</sup> generation

### **ceramill**<sup>®</sup> motion 2

- ✓ First dental hybrid milling units
- ✓ Dry and wet processing in a single machine
- ✓ Milling and grinding in a single machine
- ✓ Resulting in maximized material & indication spectrum



3<sup>rd</sup> generation

### **ceramill**<sup>®</sup> matik

- ✓ Fully integrated 24/7 fabrication unit with blank & toolstock and automatic wet/dry change
- ✓ Integration of guided fabrication workflows
- ✓ Enhanced carbide processing (CoCr and titanium)



4<sup>th</sup> generation

### **ceramill**<sup>®</sup> motion 3

- ✓ Focus on usability and operating functions directly on the machine (HMI)
- ✓ Reduced complexity for the user
- ✓ Increased efficiency and quality of the workflow



5<sup>th</sup> generation

### **ceramill**<sup>®</sup> matron

- ✓ Latest milling/grinding technology for fast and precise carbide processing with maximum surface quality
- ✓ Sustainable 5-axis+ milling
- ✓ Vmax arm with 45° A/B axes for optimum rigidity and precision
- ✓ Interaction & intelligence for maximum support in everyday routines

+ Integrated dry and wet processing  
+ Integrated milling and grinding

+ Blank changer  
+ Automatic wet/dry change  
+ Guided workflows

+ Usability  
+ Efficiency

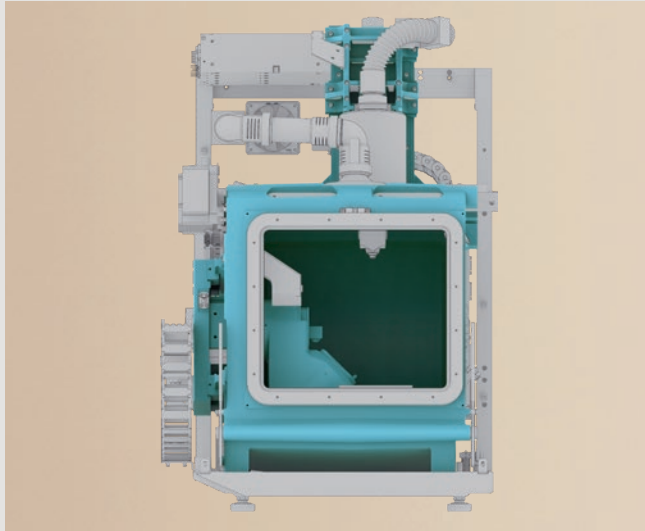
+ Speed  
+ Performance  
+ Intelligence



# You've got the Power! Power for carbide processing – and more.

Ultimate performance was one of the main driving features when developing the Ceramill Matron. That is why all the key product components of our latest milling machine have been optimized with this in mind. Your advantage: the Ceramill Matron is not only extremely economical due to its wide range of applications, especially in the field of carbide processing, but also offers an unrivaled standard of quality with excellent milling and grinding results.





### **Robust and weight-optimized cast aluminum body with rigid axes**

The robust cast aluminum body provides the Ceramill Matron with unparalleled stability. The rigid axes allow vibration-free processing to achieve maximum surface quality. Work effortlessly with the highest precision to master even the most demanding dental challenges!



### **3 or 6 mm tool shank\***

The Ceramill Matron gives you the choice of our proven 3 mm tool shank or the high performance 6 mm tool shank, and all without the need to change the spindle.

The powerful 6 mm tool shank design coupled with the smooth running of the machine makes Ceramill Matron the ideal partner for carbide processing. The proven 3 mm milling shank guarantees efficient tool management in combination with other Ceramill milling machines with RFID technology.

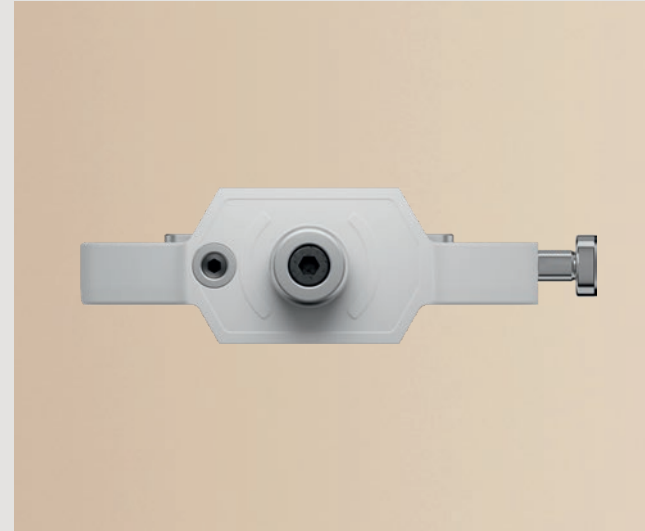
\*Machine available at launch with 3 mm and with 6 mm as from Q2 2024. Machines can be retrofitted at any time.





### **Innovative Vmax arm with 45° A/B axis arrangement**

The newly developed, innovative Vmax arm ensures maximum power and precision. The unique 45° arrangement of the A/B axes ensures maximum rigidity and highest precision with vibration damping properties in the milling process. Due to stable processing with maximum degrees of freedom, this enables virtually unlimited machinability of all common dental materials and indications.



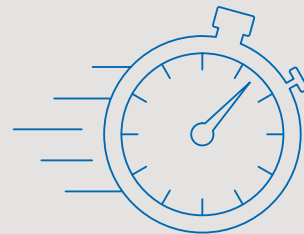
### **Optimized blank holder**

The optimized blank holder of the Ceramill Matron is made of solid metal, unlike with most other milling machines. It offers greater stability, increased rigidity and thus, together with the robust design of the machine, ensures longer tool life and more precision.



# Time is money. Discover the new heights of efficiency!

We are aware of the necessity of designing workflows in the laboratory both efficiently and economically sensible. That is why we have equipped the Ceramill Matron with product features that speed up and automate workflows without reducing the quality of the work, thus giving you more time to focus on additional work and the essentials.





### Performance Blank Changer

The retractable 8-fold blank changer is easy to load and ensures fully automatic workflows and autonomous job processing for up to 8 blanks. This guarantees carefree workflows and high efficiency.



### Guided workflows

The large, modern touch display of the Ceramill Matron and the user-oriented workflow user interface guide you safely through all the processes and provide you with optimum support in your everyday routines.







## Speedlining

Benefit from the advantages of speedlining: due to the special processing technique, in which the block is filed off from the front to the back and the connector (weak points) is only created at the end of roughing, the highest possible stability is retained in the block during processing. This enables up to 60% faster processing times compared to conventional grinding.



## High performance spindle and optimized milling strategies

Our high-performance spindle with 1.37 kW maximum output and a speed of 80,000 rpm, coupled with optimized milling strategies, ensures fast milling processes, even in the field of carbide processing.



## SnapMag: the Magnetic Tool Tray

The magnetic, RFID-supported 11-tool carrier makes tool-management simplicity in itself – an unlimited number of tools can be easily introduced via Plug&Play. With intelligent preloading, many materials and indications can be processed without the need for changing, the magnetic mechanism in combination with RFID technology makes changing tools fast and convenient.



CDT Barbara Wetzel, Trainer Amann Girschbach, Austria



MDT Hans-Peter Kulawy, Trainer Amann Girschbach, Germany

CDT Moritz Zeller, Zellerzahntechnik, Germany

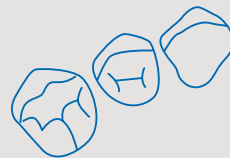


MDT Benjamin Votteler, Dentaltechnik Votteler, Germany



# As versatile as your operational needs

You would like to offer a comprehensive service portfolio and yet design your processes economically? Then the Ceramill Matron is the perfect product for you! This is because the Ceramill Matron is designed to process an extensive range of materials and indications and, owing to its numerous convenient features, is extremely easy to integrate into the laboratory environment. **Discover the versatility of Ceramill Matron!**





## ceramill® match 2

We have always attached great importance to offering safe, validated processes in which all system components are optimally matched to each other to be able to guarantee outstanding results. This is what our proven and fully integrated Ceramill Match 2 CAM solution stands for, and which offers users maximum process safety.



## Comprehensive range of materials and indications

Ceramill Matron is a 5-axis milling machine which can mill and grind both dry and wet. The processing range extends from cobalt-chromium and titanium to acrylics, waxes, zirconia, composites, partial dentures and glass ceramics and covers all common dental indications.



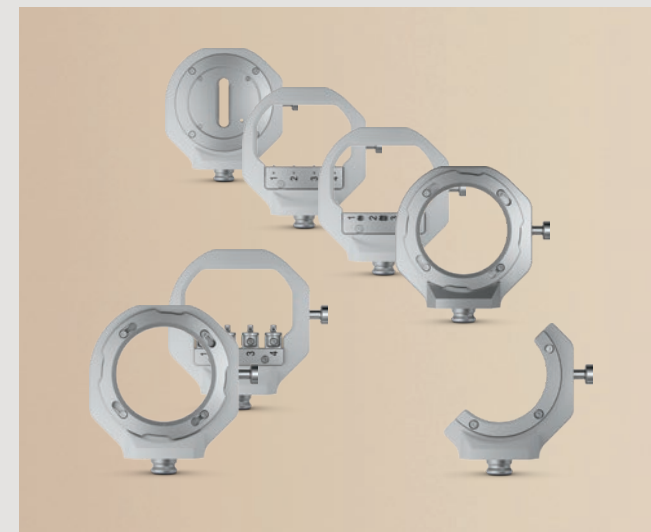
### Blank processing up to 40 mm height

Ceramill Matron processes blanks with a height of up to 30 mm and a diameter of 98.5 mm. At the same time we are thinking about the future: the travel paths of the Ceramill Matron are already designed to process blanks with a height of up to 40 mm in future.



### 5-axis+ milling

The unique 5-axis+ technology of the Ceramill Matron enables targeting extreme angles for the finest detail, even in case of extreme undercuts. The optimum conditions for perfect milling results for all materials and indications.



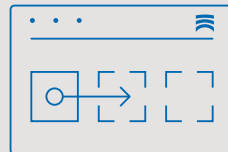
### Versatile holder and tool portfolio with RFID technology

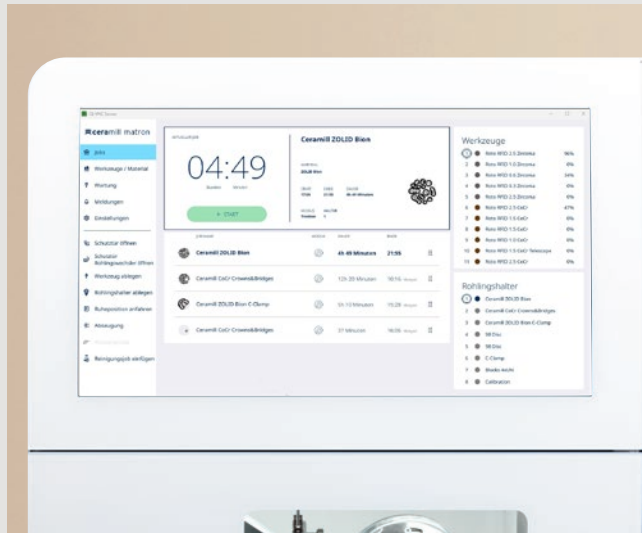
With the optimized holder and tool portfolio, you are optimally equipped for all applications. The magnetic, RFID-supported tool carrier makes tool management simplicity in itself. If a change becomes necessary, the SnapMag, which is already preloaded thanks to RFID, can be inserted quickly and easily without requiring any manual input.



# The thinking machine. For more fun and high economic efficiency.

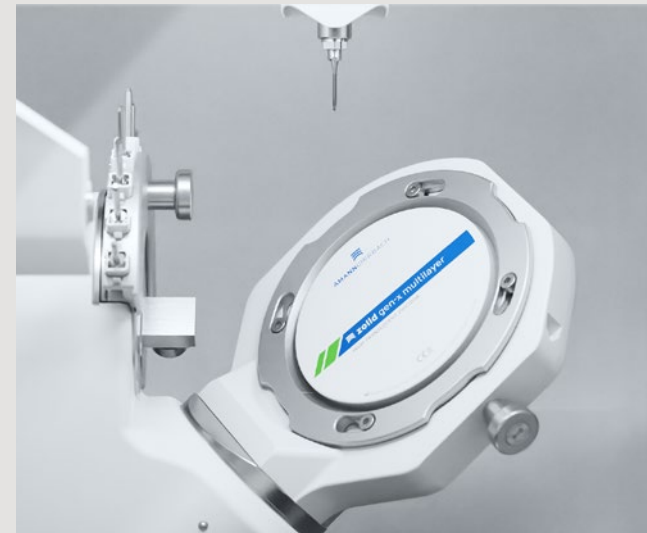
We know how challenging working in the laboratory can be. Therefore, our aim is to support you in the best possible way with the intelligent features of the Ceramill Matron, so you can focus on your craftsmanship.





### Easy operation due to a clearly structured operating element and guided workflows

Our new 21.5" inch HD display is the hub for operating the machine. Its clearly structured, intuitive graphic interface provides optimum support in the often hectic daily laboratory routines, and guided workflows practically rule out errors.

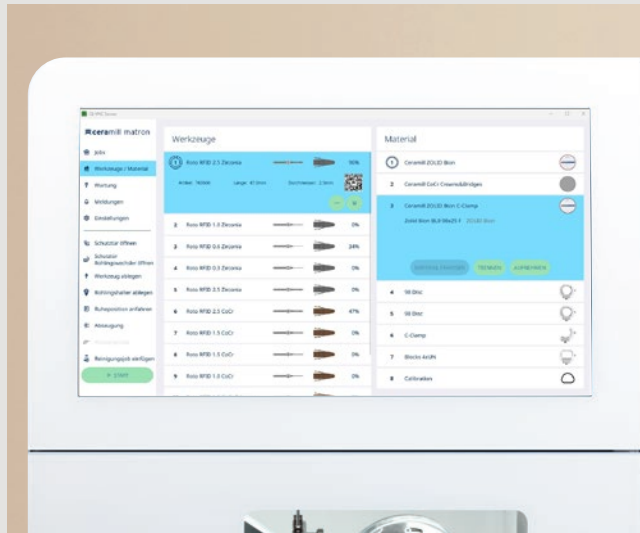


### Perfectly matched high-quality components

To provide maximum precision and value, the Ceramill Matron relies on high-quality drive components, the interaction of the linear axes and the rigidity of the entire system. In addition, our drives are equipped with encoders that enable the most accurate position detection in any situation – for the highest quality standard even following an interruption.







### RFID technology for tool and blank management

Both our tools as well as our blank holders are RFID-tracked and provide support in the daily work routines. Thus, you will know exactly when a tool change is necessary and which blanks are currently in use. This enables carefree autonomous operation and prevents mix-ups.



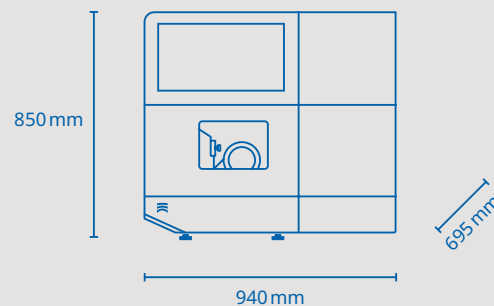
### Optional auto-calibration and easy maintenance

Due to the advanced auto-calibration function, setting up the milling machine is remarkably easy. No tedious manual alignment or complicated adjustment – the machine does it all for you, and lets you start working right away. Furthermore, the Ceramill Matron is also extremely easy to maintain. A few simple steps and guided workflows via the display let you keep the machine in top shape. Save valuable time and reduce downtimes to a minimum!



# Maximum economic efficiency and effortless integration: designed for your success

Take your profitability to a new level and create new opportunities. With Ceramill Matron you will enjoy a comprehensive range of materials and indications, which lets you handle all tasks with just a single machine. Due to the wide range of in-house options, you can largely dispense with external fabrication. Save time, costs and retain full control over your workflows: experience autonomous working that increases your productivity while reducing the burden on your employees at the same time. Efficiency and precision in perfect harmony! Owing to the high-quality components and sturdy construction, your machine will remain ready for use for longer and will therefore not incur regular repair/maintenance costs. The Ceramill Matron not only stands out in terms of performance, but also in terms of its sustainable design. Its low power and compressed air consumption supports environment-friendly operation. And with its compact design, the Ceramill Matron fits perfectly into your laboratory without taking up valuable space.



\*with service unit

## Service in a class of its own

Be it for expert advice, customized solutions or flexible support when needed, Amann Girrbach's comprehensive services ensure an optimum workflow. And all this worldwide.

Whereby the individual needs and requirements of customers have top priority. Service packages can therefore be configured at Amann Girrbach entirely according to requirements: by applying the mix and match principle, individual modules from the areas of software, helpdesk, maintenance, spare parts and repairs can be put together to form a precisely customized overall package. The software licenses can be rented or purchased as preferred. A further service highlight are the helpdesk support flat fee contracts, which are applicable to all Amann Girrbach machines. This guarantees a smooth workflow across the entire work process and ensures maximum efficiency.

Anyone wishing to outsource restorations can also count on Amann Girrbach here: in the Ceramill M-Center, experienced dental technicians fabricate contract work to the highest standards. By being connected to AG.Live, customers benefit from automated order management, short delivery times and a direct price overview.

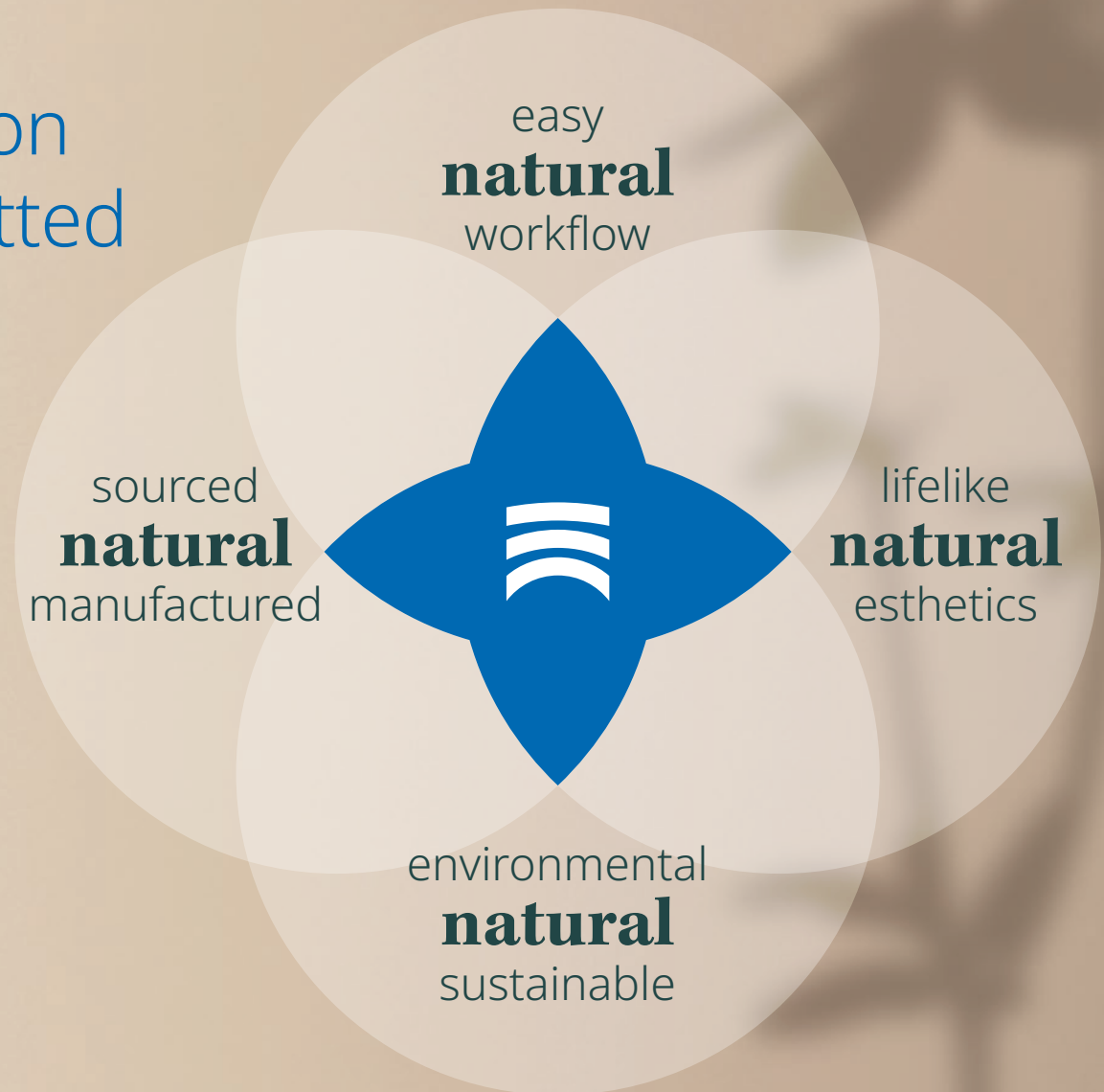


AG-Academy: course at the training center, online training, course in the laboratory/  
in the practice, continuing education at events

# There can be no question about it: We are committed to sustainability.

At Amann Girrbach we are committed to the efficient and responsible use of energy and raw materials, as well as to environmentally compatible production.

Sustainability issues have also played a major role in the development process of the Ceramill Matron. For example, the machine impresses with its low power and compressed air consumption, the components used were carefully selected with environmental considerations in mind, and the high stability and intelligent RFID concept prevent premature tool wear or the premature disposal of intact tools. The integrated collection tray enables the materials used to be manufactured, disposed of and recycled according to identity. Owing to its robust and modular design, the Ceramill Matron has a long life expectancy and its wide range of applications helps to avoid CO<sub>2</sub> emissions due to deliveries from the milling center, as nearly every indication can be fabricated in-house.





MATERIALS	
CoCr	✓
Titanium	✓
PEEK	✓
PMMA	✓
Wax	✓
Zirconia	✓
Composites	✓
Glass ceramic	✓
Sintering metal	✓
Lithium disilicate	✓



## Scope of delivery

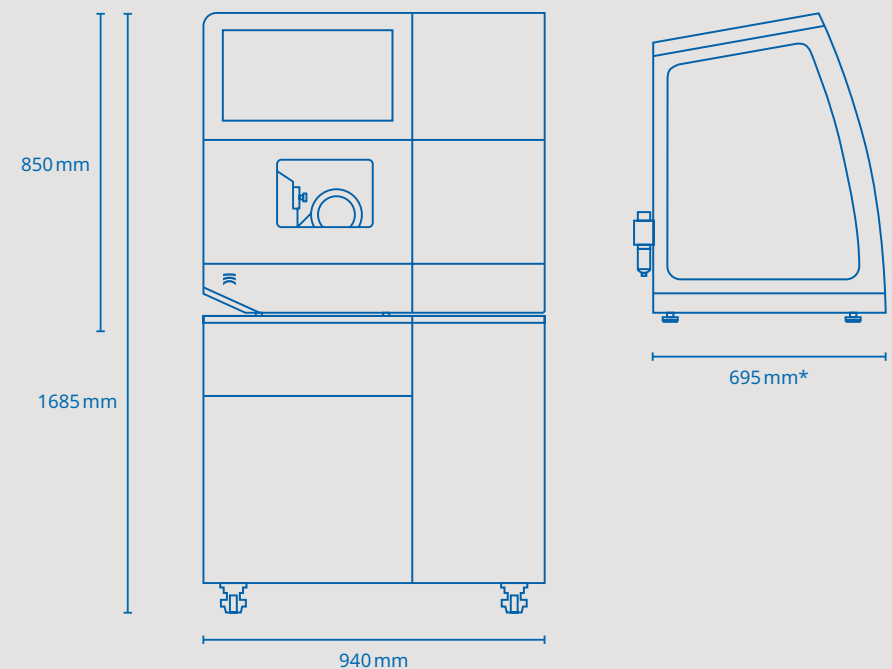
Milling machine	Ceramill Matron
CAM Software	Match 2.0-Software (optional)
Holding systems	98 holder, metal holder, C-Clamp holder, 4x Ti-Preform holders, 4x block holders for various mandrel types
Accessories	Ceramill Matron SnapMag, Allen key, hand scanner, tool tray, spindle service kit, calibration kit (manual), calipers, cleaning brush, mains cable, Ethernet network cable, instruction manual
Recommended accessories	Ceramill Tank Matron (with refractometer, PH test strips, nitrate test strips, filter), Ceramill CoolantFlow, Ceramill Airstream or Renfert Silent powerCAM EC, Ceramill Cart Matron, auto-calibration kit Matron, torque wrench for collet

## Ordering information

Machine	Ceramill Matron	181371
Accessories	Ceramill CoolantFlow	181376
	Ceramill Tank Matron	181375
	Collet wrench torque Syc.3/6	181251
	Ceramill Matron SnapMag	181378
Holder	Auto-calibration kit	181389
	Blank holder C-Clamp Matron	181380
	Blank holder 98 Matron	181381
	Blank holder blocks 4x UN Matron	181383
	Blank holder 4x Ti-Preforms Matron	181384
Cart	Blank holder metal Matron	181385
	Ceramill Cart Matron	181377
Extraction	Renfert Silent powerCAM EC	178800V120

## Technical Data

Dimensions D/W/H (mm)	695* × 940 × 850 with blank changer
Weight empty/max. (kg)	150
Power rating	100-230 V - 50/60Hz, 220 W
Spindle power (W)	800 (continuous power), 1,370 (peak power)
Spindle speed (rpm)	80,000
Torque spindle (Ncm)	12
Collet (Ømm)	3 or 6
Controlled axes	5+3
Application spectrum	5-axis milling and grinding (dry/wet)
Camera system	Full-HD camera
min. air requirement	6 bar & 50l/min



\*with service unit

## About Amann Girschbach

As a pioneer in dental CAD/CAM technology, Amann Girschbach is one of the leading innovators and preferred full-service providers in digital dental prosthetics. With its high degree of expertise in development and commitment to customer orientation, the company offers sophisticated product and workflow solutions. In addition to innovative scanning and production solutions, in which software systems and the AG.Live cloud platform play a central role, the portfolio is rounded off by high-quality materials, a dedicated technical service with a global helpdesk as well as education and training courses. Its customers in around 100 countries are made up of dental practices, practice laboratories and dental laboratories. A high standard of quality and sustainability are decisive value creation criteria for Amann Girschbach, which is why the company has housed its entire development and production at its headquarters in Mäder, Austria. In addition, Amann Girschbach operates sales offices in Pforzheim (Germany), Verona (Italy), Jossigny (France), Charlotte (USA), Singapore (city), Curitiba (Brazil), Beijing (China) as well as cooperations in Kyoto (Japan) and Beirut (Lebanon).



We would be pleased to also inform you personally. Simply contact us!

On our website you will find further information about our locations and contact details so that you can reach us quickly.

[bit.ly/ag-contact](https://bit.ly/ag-contact) ↗

