

HENRY SCHEIN SURGICAL PRODUCTS



RELY ON US FOR QUALITY, SELECTION, PERFORMANCE, AND VALUE!

AMBULATORY SURGERY CENTERS POISED FOR GROWTH

By 2032, case volumes at ambulatory surgery centers throughout the U.S. are projected to grow 25%.¹

As your center navigates strategies to capture growth, Henry Schein Medical can help you reduce costs and effectively manage your evolving case load.

This guide presents our product portfolio designed to balance your clinical needs while offering cost-effective solutions. Rely on Henry Schein's network of product, services and solutions.



1. Newitt, P. (2022, June 22). ASCs to see 25% Surgery Volume Growth by 2032: 5 stats. Becker's ASC Review. <https://www.beckersasc.com/asc-news/ascs-to-see-25-surgery-volume-growth-by-2032-5-stats.html>

TABLE OF CONTENTS

SURGICAL GOWNS	4 – 5	
SURGICAL DRAPES	6 – 12	
SURGICAL DRAPE PACKS	13 – 17	
SURGICAL STANDARD PACKS	18 – 27	
SURGICAL GLOVES	30	
OPERATING ROOM ACCESSORIES	31 - 32	
CENTRAL STERILE	34 - 44	
IV PRODUCTS	45 - 46	
WOUND CARE	47 - 53	
ORAL AND MAXILLOFACIAL SURGERY	54 - 58	



HENRY SCHEIN SURGICAL GOWNS

Our surgical gowns provide the optimal balance between protection and comfort for a wide range of fluid exposure procedures. Surgical gowns are available in non-reinforced, fabric reinforced and breathable film options to provide the right level of protection based on procedural needs.

FEATURES

- ✓ Tri-layer fabric construction features inner and outer layers designed to provide strength and durability while the middle core is designed to optimize barrier protection.
- ✓ Heat-sealed sleeve seams eliminate holes often found in stitched gowns, removing a potential area for fluid strike through
- ✓ Reinforced gowns feature generous fabric reinforcement area for additional protection
- ✓ Low lint generation and excellent flammability properties provide additional protection for the patient and staff.



PERFORMANCE TESTING



- AAMI Level 3 and AAMI Level 4 Gowns Available
- Our gowns have undergone extensive testing to guarantee that breathability, flammability, and strength requirements meet customer expectations.
- 16 CFR 1610.4 Class I Flammability Standards

SURGICAL GOWNS

STANDARD SERIES Surgical Gown, Non-Reinforced, Set-In Sleeves

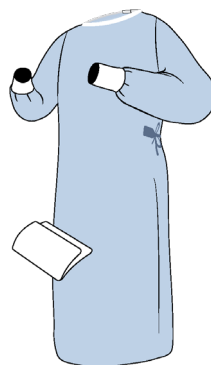
- ▶ AAMI 3 Performance in the Critical Zones
- ▶ Premium SMS Barrier Fabric
- ▶ Non-Reinforced
- ▶ Set-In Sleeves
- ▶ Adjustable Hook and Loop Closures
- ▶ Scrim Hand Towel



Item Number	Size	Case Quantity
570-1630	Medium	32EA/CS
570-1688	Large	30EA/CS
570-1629	X-Large	28EA/CS
570-1631	XX-Large	26EA/CS
570-1662	XXX-Large	24EA/CS

SOFT SERIES Surgical Gown, Non-Reinforced, Set-In Sleeves

- ▶ AAMI 3 Performance in the Critical Zones
- ▶ SOFT SMS Barrier Fabric
- ▶ Non-Reinforced
- ▶ Set-In Sleeves
- ▶ Adjustable Hook and Loop Closures
- ▶ Scrim Hand Towel



Item Number	Size	Case Quantity
570-1664	Medium	32EA/CS
570-1665	Large	30EA/CS
570-1666	X-Large	28EA/CS
570-1667	XX-Large	26EA/CS
570-1668	XXX-Large	24EA/CS

REINFORCED SERIES Surgical Gown, Fabric-Reinforced, Raglan Sleeves

- ▶ AAMI 3 Performance in the Critical Zones
- ▶ SMS Barrier Fabric
- ▶ Fabric Reinforced Critical Zones
- ▶ Raglan Sleeves
- ▶ Sleeve-N-Sleeve Construction
- ▶ Adjustable Hook and Loop Closures
- ▶ Scrim Hand Towel



Item Number	Size	Case Quantity
570-1669	Large	24EA/CS
570-1670	X-Large	22EA/CS
570-1671	XX-Large	22EA/CS

Surgical Gown, Breathable Viral Barrier, Raglan Sleeves

- ▶ AAMI 4 Performance in the Critical Zones
- ▶ Breathable Viral Barrier Fabric
- ▶ Raglan Sleeves
- ▶ Sleeve-N-Sleeve Construction
- ▶ Adjustable Hook and Loop Closures
- ▶ Scrim Hand Towel



Item Number	Size	Case Quantity
570-1633	Small/Medium	30EA/CS
570-1634	Large	28EA/CS
570-1636	X-Large	26EA/CS
570-1638	XX-Large	24EA/CS
570-1640	Large, Long	26EA/CS
570-1641	X-Large, Long	24EA/CS
570-1645	XX-Large, Long	22EA/CS

HENRY SCHEIN SURGICAL DRAPES

From basic drapes to more complicated key sheets, our surgical drapes are available in a wide variety of designs to meet your ASC's procedural needs. Our portfolio features surgical drape offerings for general surgery, urology, orthopedics, ophthalmology, gastroenterology and more.

FEATURES

- ✓ Tri-layer SMS fabric is soft, drapeable and naturally repellent to fluids.
- ✓ Tri-layer fabric constructions provide an excellent barrier to strikethrough
- ✓ Low lint generating fabric reduces particulates and minimize airborne particulate contamination
- ✓ Excellent flammability properties provide additional protection for the patient and staff when using lasers and electrocautery devices

PERFORMANCE TESTING



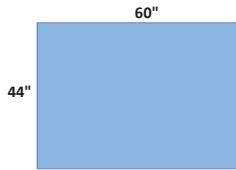
- 16 CFR 1610.4 Class I Flammability Standards
- Low lint generation
- Not made with DEHP or phthalates



SURGICAL DRAPES

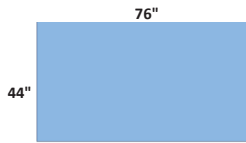
GENERAL

Half Drape



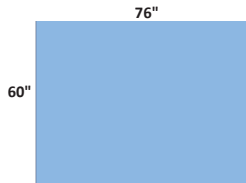
Item Number	Size	Box Quantity
570-1656	44 x 60 inches	22/CS

Medium Drape



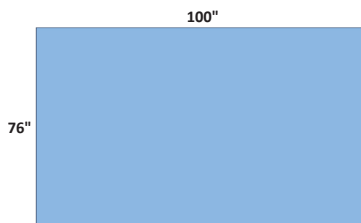
Item Number	Size	Box Quantity
570-1617	44 x 76 inches	20/CS

Large Drape



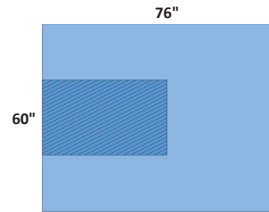
Item Number	Size	Box Quantity
570-1657	60 x 76 inches	20/CS
570-1663 Reverse Fold	60 x 76 inches	20/CS

X-Large Drape



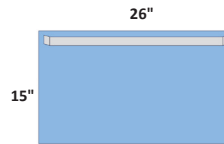
Item Number	Size	Box Quantity
570-1686	76 x 100 inches	20/CS

Three-Quarter Drape with Absorbent Reinforcement



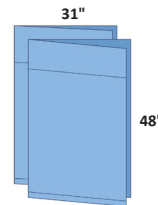
Item Number	Size	Box Quantity
570-1672	60 x 76 inches	20/CS

Utility Drape with Tape



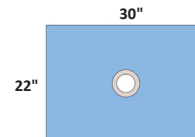
Item Number	Size	Box Quantity
570-1684	15 x 26 inches	100/CS

Leggings Drape



Item Number	Size	Box Quantity
570-1610	31 x 48 inches	30/CS

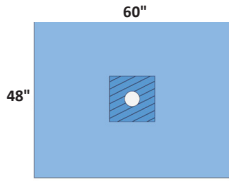
Pediatric Directional Incision Drape



Item Number	Size	Box Quantity
570-1628	22 x 30 inches	20/CS

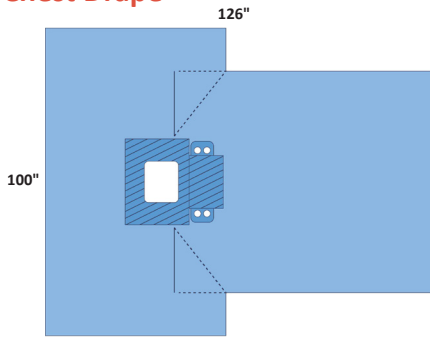
GENERAL (continued)

Minor Procedure Drape



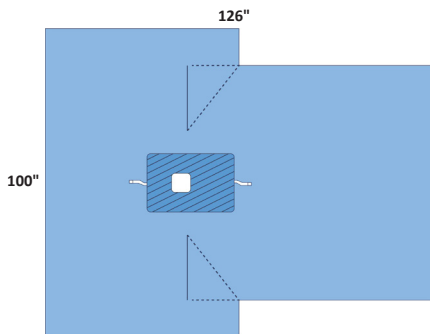
Item Number	Size	Box Quantity
570-1619	48 x 60 inches	20/CS

Chest Drape



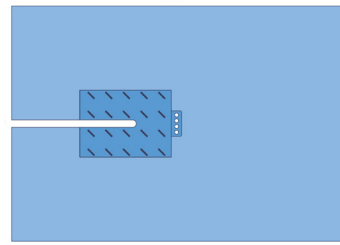
Item Number	Size	Box Quantity
570-1626	100 x 126 inches	12/CS

Breast Drape with Armboard Covers



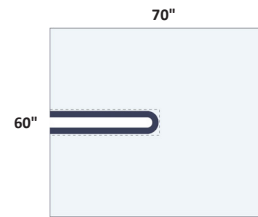
Item Number	Size	Box Quantity
570-1604	100 x 126 inches	10/CS

Split Sheet



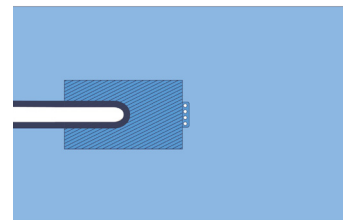
Item Number	Size	Box Quantity
570-1647	53 x 76 inches	26/CS
570-1658	76 x 110 inches	24/CS
570-1648	76 x 124 inches	22/CS

Impervious Split Drape



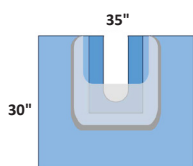
Item Number	Size	Box Quantity
570-1643	60 x 70 inches	30/CS

U-Drape



Item Number	Size	Box Quantity
570-1677	52 x 48 inches	25/CS
570-1679	76 x 120 inches	18/CS
570-1682	80 x 124 inches	20/CS

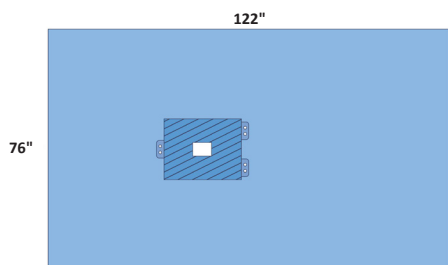
U-Shaped Fluid Collection Pouch



Item Number	Size	Box Quantity
570-1674	35 x 30 inches	18/CS

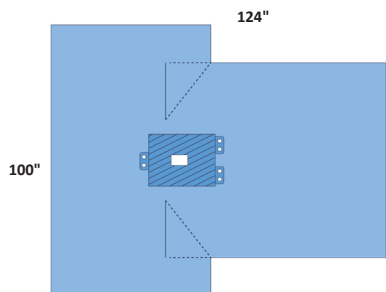
LAPAROTOMY

Pediatric Laparotomy Drape



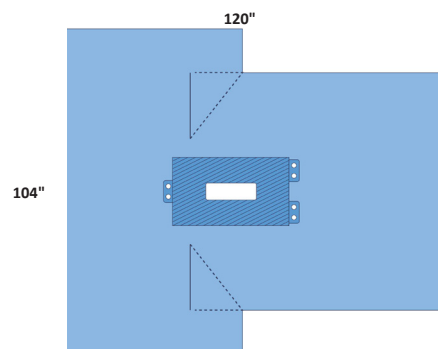
Item Number	Size	Box Quantity
570-1625	76 x 122 inches	13/CS

Pediatric Laparotomy Drape with Armboard Covers



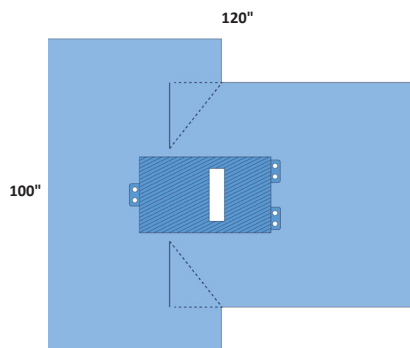
Item Number	Size	Box Quantity
570-1635	100 x 124 inches	10/CS

Laparotomy Drape with Armboard Covers



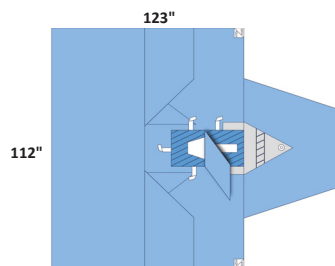
Item Number	Size	Box Quantity
570-1632	104 x 120 inches	13/CS

Transverse Laparotomy Drape with Armboard Covers



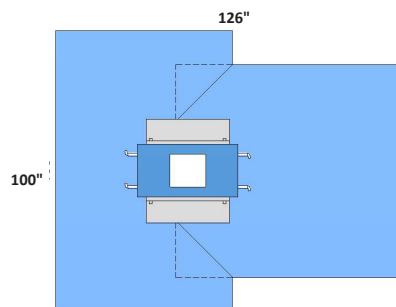
Item Number	Size	Box Quantity
570-1673	100 x 120 inches	14/CS

LAVH Laparotomy Drape with Armboard Covers and Fluid Collection Pouch



Item Number	Size	Box Quantity
570-1609	112 x 123 inches	10/Ca

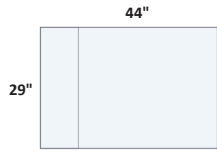
Laparoscopic Drape with Instrument Pouches



Item Number	Size	Box Quantity
570-1627	100 x 126 inches	10/CS

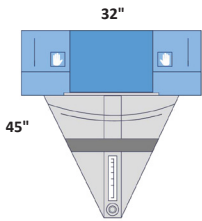
UROLOGY

Underbuttock Drape



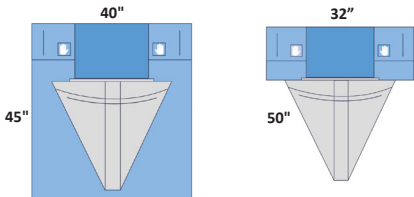
Item Number	Size	Box Quantity
570-1683	29 x 44 inches	25/CS

Underbuttock Drape with Fluid Collection Pouch



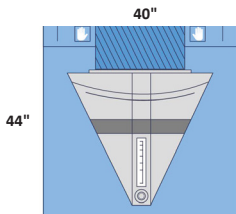
Item Number	Size	Box Quantity
570-1675	32 x 45 inches	25/CS

Underbuttock Drape with Fluid Collection Pouch, No Graduated Markings



Item Number	Size	Box Quantity
570-1680	40 x 45 inches	25/CS
570-1681	32 x 50 inches	25/CS

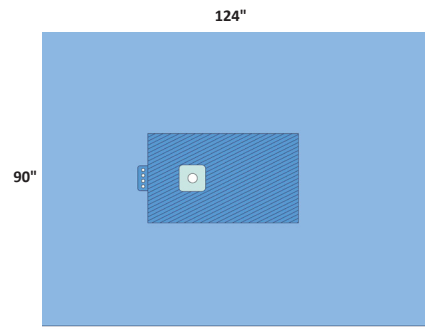
Underbuttock Drape with Fluid Collection Pouch and Absorbent Reinforcement



Item Number	Size	Box Quantity
570-1676	44 x 40 inches	25/CS

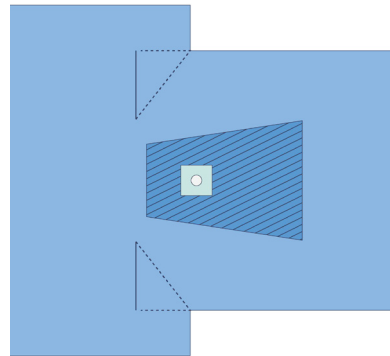
ORTHOPEDIC

Universal Extremity Drape



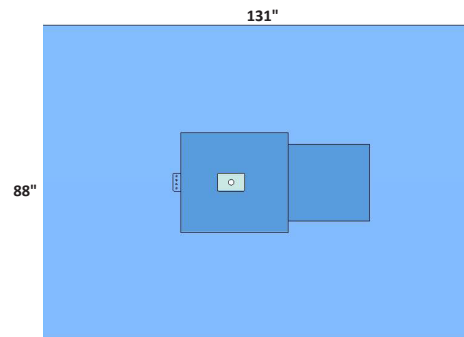
Item Number	Size	Box Quantity
570-1685	90 x 124 inches	10/CS

Lower Extremity Drape with Armboard Covers



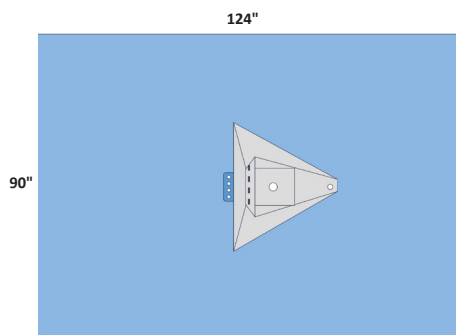
Item Number	Size	Box Quantity
570-1613	108 x 124 inches	10/CS
570-1614	112 x 126 inches, HEAVY DUTY	10/CS

Lower Extremity Drape



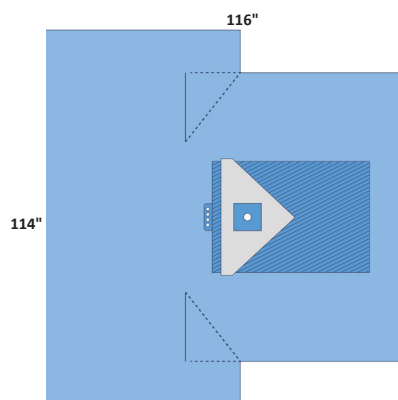
Item Number	Size	Box Quantity
570-1615	88 x 131 inches	10/CS

Knee Arthroscopy Drape with Fluid Collection Pouch



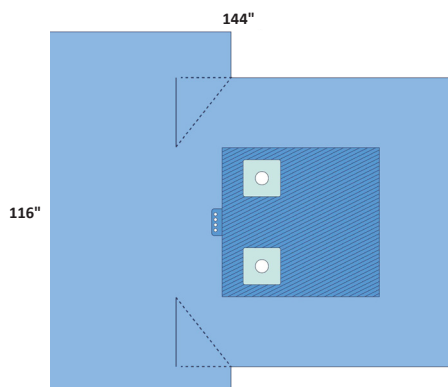
Item Number	Size	Box Quantity
570-1642	90 x 124 inches	11/CS

Knee Arthroscopy Drape with Fluid Collection Pouch



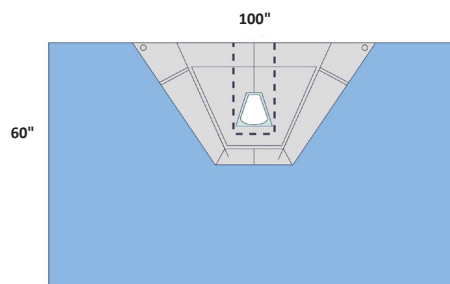
Item Number	Size	Box Quantity
570-1649	114 x 116 inches	8/CS

Bilateral Limb Drape



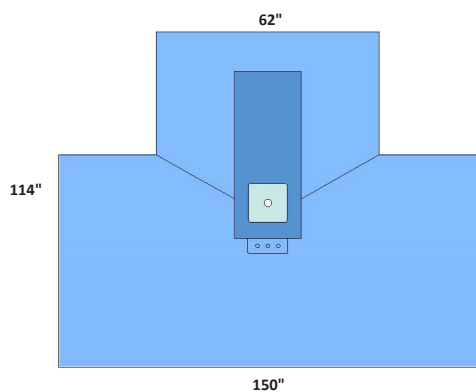
Item Number	Size	Box Quantity
570-1602	116 x 144 inches	12/CS

Shoulder Arthroscopy Drape with Fluid Collection Pouch



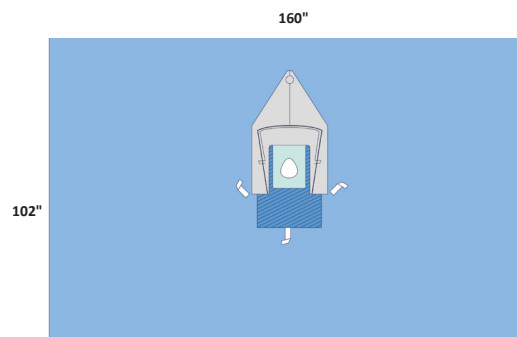
Item Number	Size	Box Quantity
570-1651	100 x 60 inches, HEAVY DUTY	12/CS

Hand Drape



Item Number	Size	Box Quantity
570-1644	114 x 150 inches HEAVY DUTY	14/CS

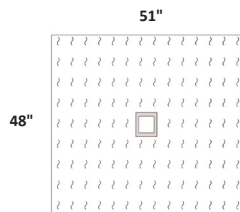
Shoulder Arthroscopy Drape with Fluid Collection Pouch



Item Number	Size	Box Quantity
570-1646	102 x 160 inches	10/CS

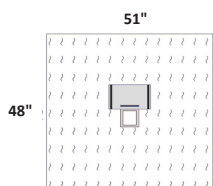
OPHTHALMIC

Ophthalmic Drape with Full Incise



Item Number	Size	Box Quantity
570-1637	48 x 51 inches	30/CS

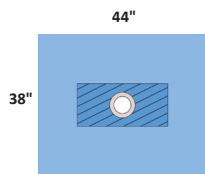
Ophthalmic Drape with Full Incise and Pouch



Item Number	Size	Box Quantity
570-1639	48 x 51 inches	30/CS

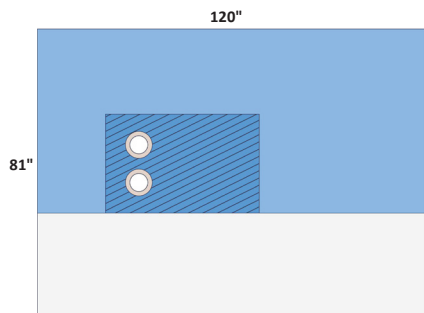
SPECIALTY ANGIOGRAPHY

Brachial Angiography Drape



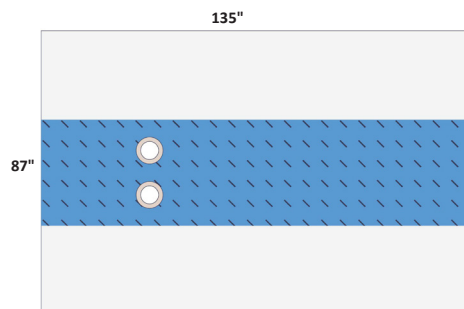
Item Number	Size	Box Quantity
570-1603	38 x 44 inches	32/CS

Femoral Angiography Drape with One Window



Item Number	Size	Box Quantity
570-1687	81 x 120 inches	14/CS

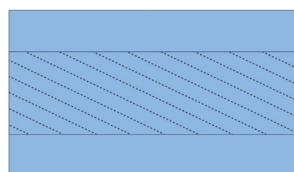
Femoral Angiography Drape with Two Windows, Extra Long



Item Number	Size	Box Quantity
570-1607	87 x 135 inches	14/CS

EQUIPMENT COVERS

Back Table Cover, Zone Reinforced



Item Number	Size	Box Quantity
570-1596	44 x 75 inches	20
570-1597	44 x 90 inches	20
570-1598	50 x 90 inches	20

Mayo Stand Cover



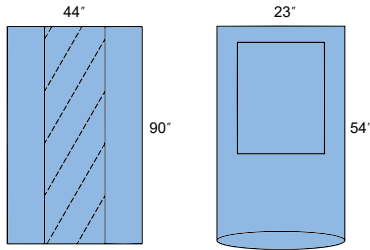
Item Number	Size	Box Quantity
570-1616	23 x 54 inches	30
570-1618	29.5 x 57 inches, EXTRA LARGE	30

SURGICAL DRAPE PACKS

Basic Drape Pack 1

- ▶ Cover, Back Table (1)
- ▶ Cover, Mayo Stand (1)

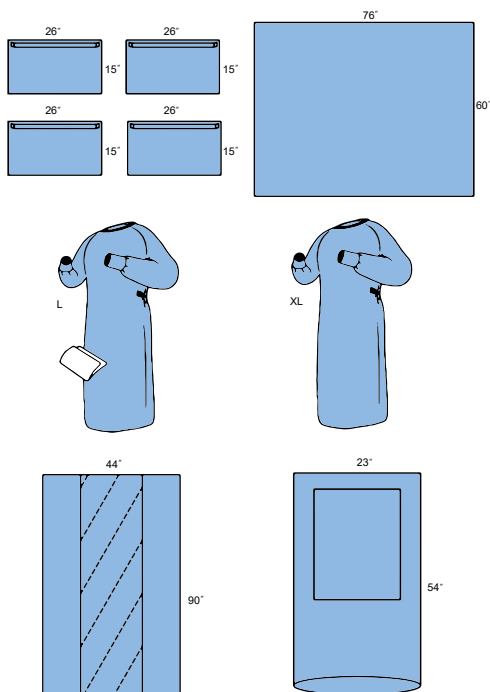
Item Number	Size	Case Quantity
570-1691	Basic Drape Pack 1	20ea/CS



Basic Drape Pack 2

- ▶ Cover, Back Table (1)
- ▶ Cover, Mayo Stand (1)
- ▶ Drape, Large (1)
- ▶ Drape, Utility (4)
- ▶ Gown, Surgical, L with Towel (1)
- ▶ Gown, Surgical, XL (1)

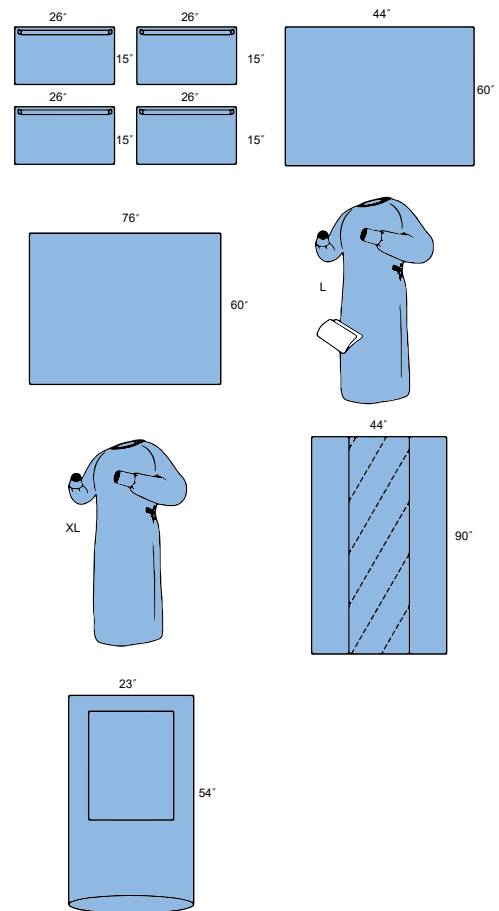
Item Number	Size	Case Quantity
570-1599	Basic Drape Pack 2	4ea/CS



Basic Drape Pack 3

- ▶ Cover, Back Table (1)
- ▶ Cover, Mayo Stand (1)
- ▶ Drape, Half (1)
- ▶ Drape, Large (1)
- ▶ Drape, Utility (4)
- ▶ Gown, Surgical, L with Towel (1)
- ▶ Gown, Surgical, XL (1)

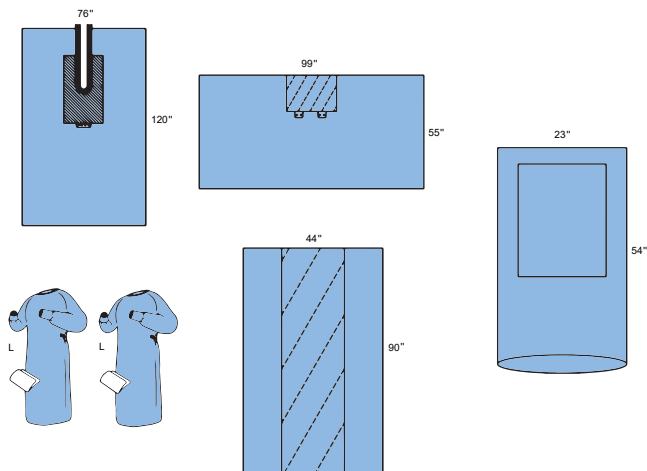
Item Number	Size	Case Quantity
570-1600	Basic Drape Pack 3	6ea/CS



Basic U-Bar Drape Pack

- ▶ Cover, Back Table, Zone Reinforced (1)
- ▶ Cover, Mayo (1)
- ▶ Drape, Top 99x55" (1)
- ▶ Drape, U-Drape, 76x120" with 4x10" Split (1)
- ▶ Gown, Surgical, Fabric Reinforced, L with Towel (2)

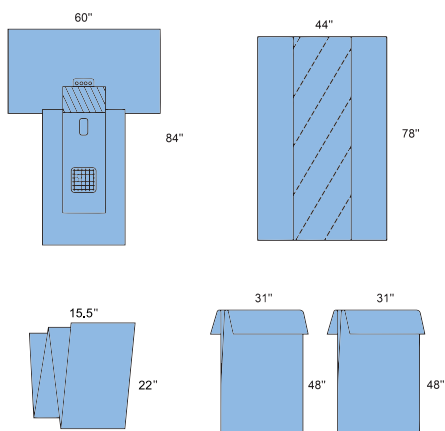
Item Number	Size	Case Quantity
570-1601	Basic U-Bar Drape Pack	3ea/CS



Cystoscopy Drape Pack 1

- ▶ Cover, Back Table, Zone Reinforced (1)
- ▶ Drape, Cystoscopy T-Sheet, 60x84" (1)
- ▶ Leggings, 31x48", with 6" Cuff (2)
- ▶ Towel, Paper, White (1)

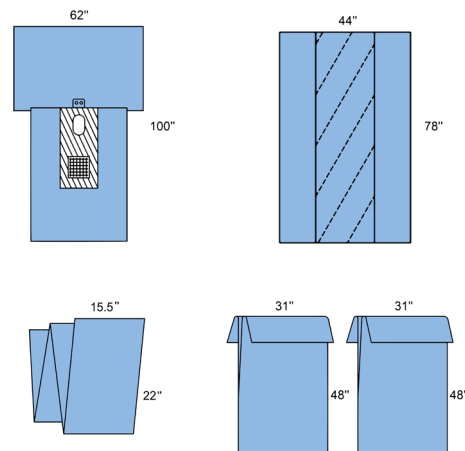
Item Number	Size	Case Quantity
570-1606	Cystoscopy Drape Pack 1	8ea/CS



Cystoscopy Drape Pack 2

- ▶ Cover, Back Table, Zone Reinforced (1)
- ▶ Drape, Cystoscopy T-Sheet, 62x100" (1)
- ▶ Leggings, 31x48", with 6" Cuff (2)
- ▶ Towel, Paper, White (1)

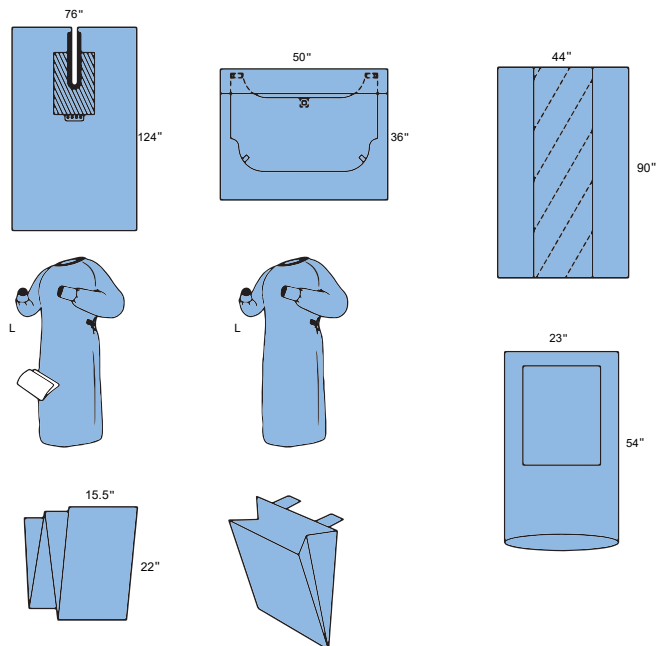
Item Number	Size	Case Quantity
570-1650	Cystoscopy Drape Pack 2	12ea/CS



EENT Drape Pack

- ▶ Bag, Suture (1)
- ▶ Cover, Back Table (1)
- ▶ Cover, Mayo Stand (1)
- ▶ Drape, EENT, 76x124", with 3x25" Split (1)
- ▶ Drape, Head, 50x36" (1)
- ▶ Gown, Surgical, L (1)
- ▶ Gown, Surgical, L with Towel (1)
- ▶ Towel, Paper, White (1)

Item Number	Size	Case Quantity
570-1652	EENT Drape Pack	4ea/CS

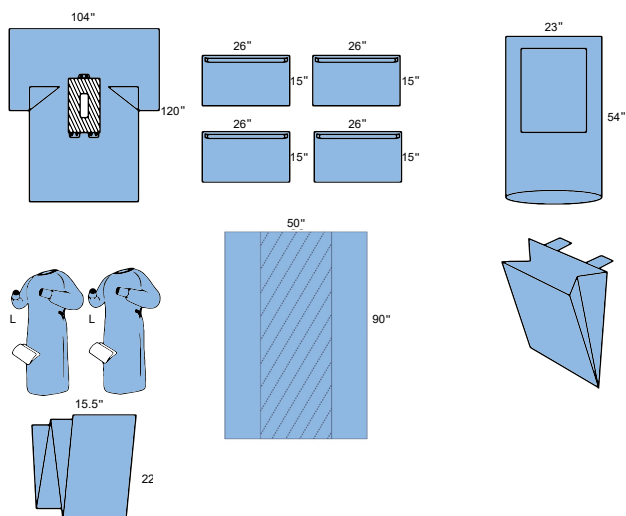


Laparotomy Drape Pack 1

- ▶ Bag, Suture (1)
- ▶ Cover, Back Table, Zone Reinforced (1)
- ▶ Cover, Mayo Stand (1)
- ▶ Drape, Laparotomy, with Armboard Covers, 104x120" (1)
- ▶ Drape with Tape, Utility (4)
- ▶ Gown, Surgical, Fabric Reinforced, L with Towel (2)
- ▶ Towel, Paper, White (1)

Item Number	Size	Case Quantity
-------------	------	---------------

570-1653 Laparotomy Drape Pack 1 3ea/CS

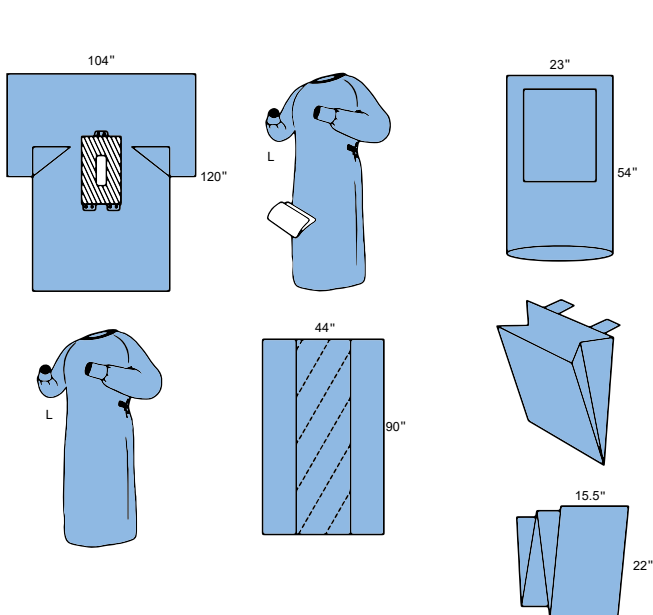


Laparotomy Drape Pack 2

- ▶ Bag, Suture (1)
- ▶ Cover, Back Table (1)
- ▶ Cover, Mayo Stand (1)
- ▶ Drape, Laparotomy, with Armboard Covers, 104x120" (1)
- ▶ Gown, Surgical, L (1)
- ▶ Gown, Surgical, L with Towel (1)

Item Number	Size	Case Quantity
-------------	------	---------------

570-1654 Laparotomy Drape Pack 2 3ea/CS

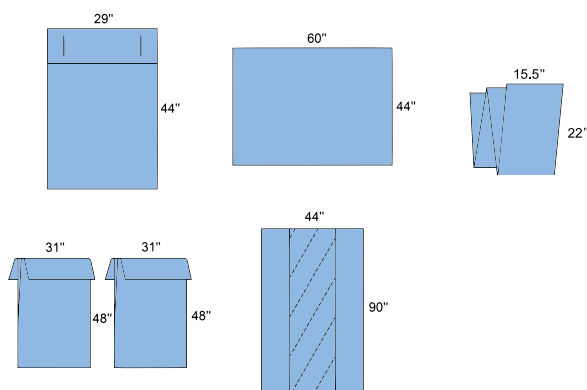


Lithotomy Drape Pack 1

- ▶ Cover, Back Table (1)
- ▶ Drape, Half (1)
- ▶ Drape, Underbuttocks, 29x44" (1)
- ▶ Leggings, 31x48", with 6" Cuff (2)
- ▶ Towel, Paper, White (1)

Item Number	Size	Case Quantity
-------------	------	---------------

570-1611 Lithotomy Drape Pack 1 12ea/CS

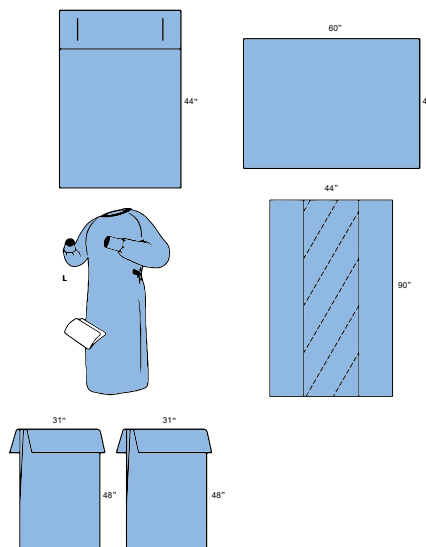


Lithotomy Drape Pack 2

- ▶ Cover, Back Table (1)
- ▶ Drape, Half (1)
- ▶ Drape, Underbuttocks, 29x44" (1)
- ▶ Gown, Surgical, Fabric Reinforced, L with Towel (1)
- ▶ Leggings, 31x48", with 6" Cuff (2)

Item Number	Size	Case Quantity
-------------	------	---------------

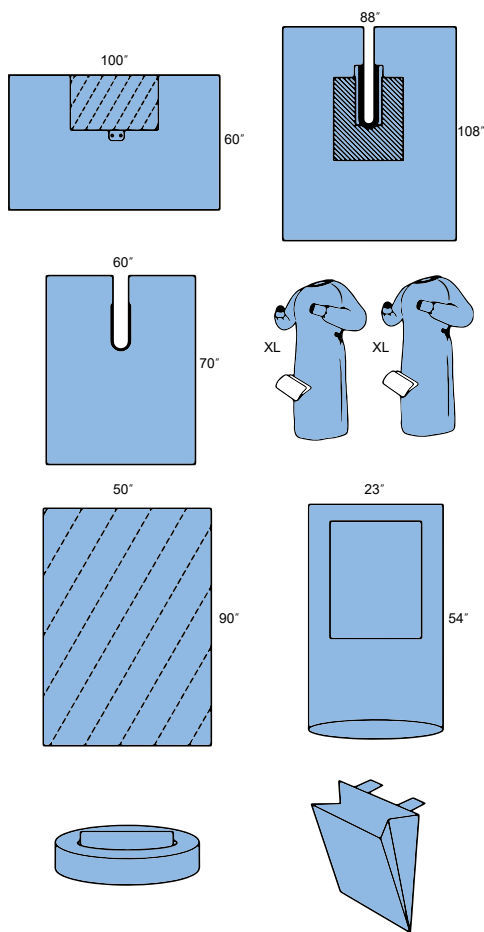
570-1612 Lithotomy Drape Pack 2 8ea/CS



Orthopedic Drape Pack

- ▶ Bag, Suture (1)
- ▶ Cover, Back Table (1)
- ▶ Cover, Mayo Stand (1)
- ▶ Drape, Heavy-Duty Orthopedic U, 88x108" (1)
- ▶ Drape, Impervious Split Sheet, 60x70" (1)
- ▶ Drape, Orthopedic Bar, 100x60" (1)
- ▶ Gown, Surgical, Fabric Reinforced, XL with Towel (2)
- ▶ Stockinette, Impervious, Large, 12x48" (1)

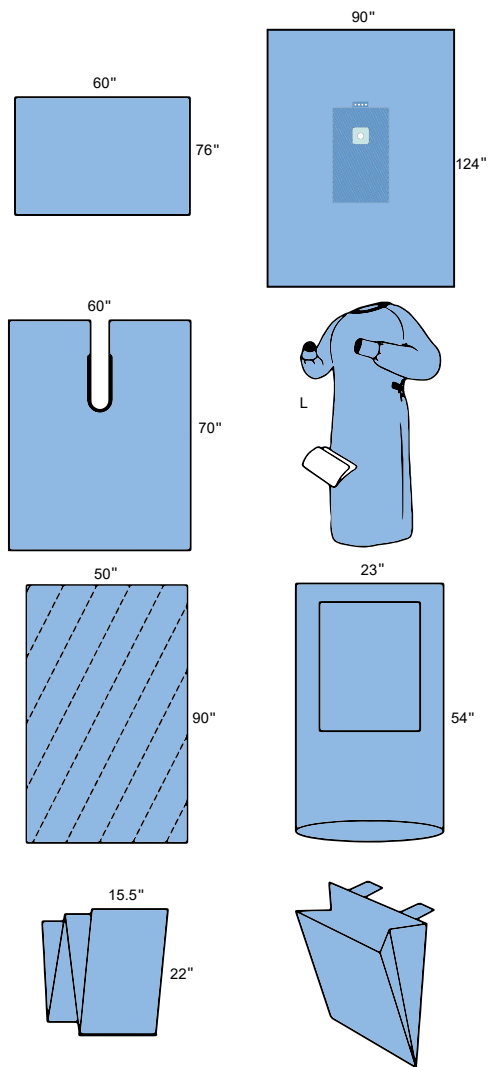
Item Number	Size	Case Quantity
570-1661	Orthopedic Drape Pack	3ea/CS



Ortho Lower Extremity Drape Pack

- ▶ Bag, Suture (1)
- ▶ Cover, Back Table, Fully Reinforced (1)
- ▶ Cover, Mayo Stand (1)
- ▶ Drape, Impervious Split Sheet, 60x70" (1)
- ▶ Drape, Large (1)
- ▶ Drape, Universal Extremity, 90x124" (1)
- ▶ Gown, Surgical, L with Towel (1)
- ▶ Towel, Paper, White (1)

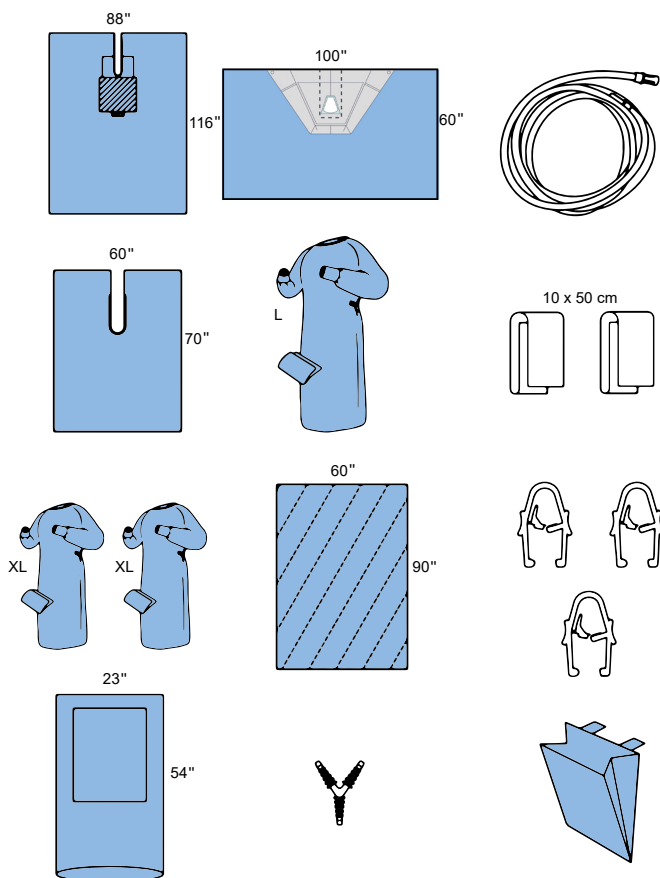
Item Number	Size	Case Quantity
570-1659	Ortho Lower Extremity Drape Pack	4ea/CS



Heavy-Duty Shoulder Arthroscopy Drape Pack

- ▶ Bag, Suture (1)
- ▶ Clamp, Towel, 2.5" (3)
- ▶ Connector, Y-Tubing Suction (1)
- ▶ Cover, Back Table Heavy-Duty (1)
- ▶ Cover, Mayo Stand (1)
- ▶ Drape, Large Impervious Split Sheet, 60x70" (1)
- ▶ Drape, Shoulder Arthroscopy, 100x60" with Fluid Collection Pouch, Heavy-Duty (1)
- ▶ Drape, Split, 88x116" (1)
- ▶ Gown, Surgical, Fabric Reinforced, L with Towel (1)
- ▶ Gown, Surgical, Fabric Reinforced, XL, with Towel (2)
- ▶ Strip, Tape (2)
- ▶ Tubing, Suction (1)

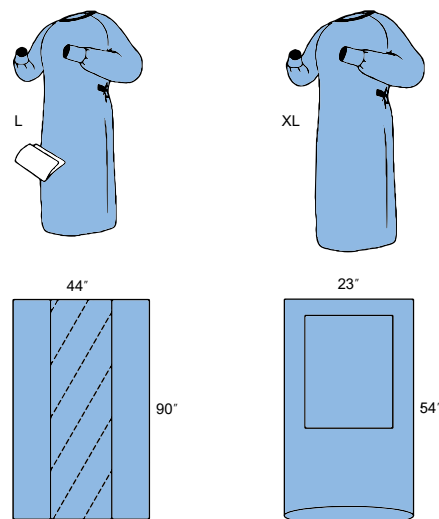
Item Number	Size	Case Quantity
570-1655	Heavy-Duty Shoulder Arthroscopy Drape Pack	3ea/CS



Set-Up Drape Pack

- ▶ Cover, Back Table (1)
- ▶ Cover, Mayo Stand (1)
- ▶ Gown, Surgical, L with Towel (1)
- ▶ Gown, Surgical, XL (1)

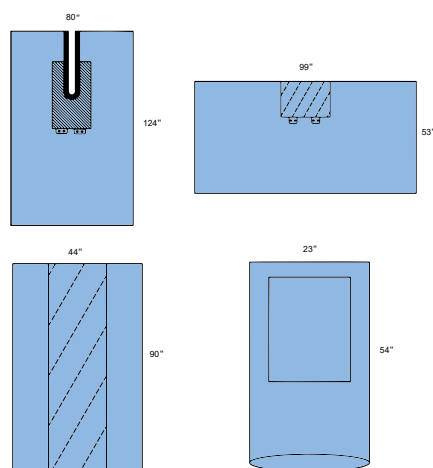
Item Number	Size	Case Quantity
570-1660	Set-Up Drape Pack	4ea/CS



U-Bar Drape Pack

- ▶ Cover, Back Table, Zone Reinforced (1)
- ▶ Cover, Mayo Stand (1)
- ▶ Drape, Top, 99x53" (1)
- ▶ Drape, U, 80x124". Absorbent Reinforcement, with 4x44" Split (1)

Item Number	Size	Case Quantity
570-1678	U-Bar Drape Pack	4ea/CS



SURGICAL STANDARD PACKS

Single Basin Set 570-1570, 10ea/CS

Includes:

- ▶ (1/ea) Basin, Ring, 6000cc
- ▶ (1/ea) Wrap, CSR, 54" x 54"



Double Wrap Basin Set 570-1571, 10ea/CS

Includes:

- ▶ (1/ea) Basin, Ring, 6000cc
- ▶ (2/ea) Wrap, CSR, 54" x 54"



Minor Set Up Procedure Pack 570-1572, 8ea/CS

Includes:

- ▶ (1/ea) Basin, Emesis, 700cc
- ▶ (1/ea) Basin, Ring, 6000cc
- ▶ (1/ea) Bowl, 32oz/1000ml
- ▶ (1/ea) Cup, Medicine, 60cc
- ▶ (2/ea) Wrap, CSR, 54" x 54"



Minor Set Up Plus Procedure Pack 570-1689, 16ea/CS

Includes:

- ▶ (1/ea) Bag, Disposal
- ▶ (1/ea) Bag, Self-Closure
- ▶ (1/ea) Cautery Pencil
- ▶ (2/ea) Cover, Light Handle, Flexible
- ▶ (1/ea) Cup, Medicine, 60cc
- ▶ (1/ea) Cup, Specimen with Screw Lid
- ▶ (1/ea) Lid for Medicine Cup
- ▶ (1/ea) Marker, Skin, Standard Tip
- ▶ (1/ea) Needle Counter
- ▶ (1/pk) Sponge, Gauze, 4" x 4", 16ply, X-Ray, 10/pk
- ▶ (1/pk) Sponge, Lap, 18" x 18", 4ply, X-Ray, 5/pk
- ▶ (1/ea) Suction Handle, Yankauer
- ▶ (1/ea) Syringe, Bulb, Irrigating, 60ml
- ▶ (1/ea) Tubing, Suction, 1/4" x 12"
- ▶ (2/ea) Wrap, CSR, 36" x 36"



Major Set Up Procedure Pack 570-1573, 6ea/CS

Includes:

- ▶ (1/ea) Bag, Disposal
- ▶ (1/ea) Basin, Emesis, 700cc
- ▶ (1/ea) Basin, Ring, 6000cc
- ▶ (2/ea) Blade, Carbon, #10
- ▶ (1/ea) Blade, Carbon, #15
- ▶ (1/ea) Bowl, 32oz/1000ml
- ▶ (1/ea) Cautery Pencil
- ▶ (1/ea) Cleaner, Cautery Tip
- ▶ (2/ea) Cover, Light Handle, Flexible
- ▶ (1/ea) Cup, Medicine, 60cc
- ▶ (1/ea) Cup, Specimen with Screw Lid
- ▶ (1/ea) Holder, Scalpel
- ▶ (1/ea) Lid for Medicine Cup
- ▶ (1/ea) Marker, Skin, Standard Tip
- ▶ (1/ea) Needle Counter
- ▶ (1/ea) Pitcher, 1200cc



- ▶ (1/pk) Sponge, Gauze, 4" x 4", 16ply, X-Ray, 10/pk
- ▶ (1/pk) Sponge, Lap, 18"x 18", 4ply, X-Ray, 5/pk
- ▶ (1/ea) Suction Handle, Yankauer
- ▶ (1/ea) Syringe, Bulb, Irrigating, 60ml
- ▶ (6/ea) Towel, Cotton, Blue
- ▶ (1/ea) Tubing, Suction, 1/4" x 12"
- ▶ (1/ea) Wrap, CSR, 54" x 54"

Major Set Up Plus Procedure Pack 570-1574, 3ea/CS

Includes:

- ▶ (1/ea) Bag, Disposal
- ▶ (1/ea) Basin, Emesis, 700cc
- ▶ (2/ea) Basin, Ring, 6000cc
- ▶ (2/ea) Blade, Carbon, #10
- ▶ (1/ea) Blade, Carbon, #15
- ▶ (2/ea) Bowl, 32oz/1000ml
- ▶ (1/ea) Cautery Pencil
- ▶ (1/ea) Cleaner, Cautery Tip
- ▶ (1/ea) Cover, Back Table, Zone Reinforced 70" x 110"
- ▶ (2/ea) Cover, Light Handle, Flexible
- ▶ (1/ea) Cover, Mayo Stand
- ▶ (1/ea) Cup, Medicine, 60cc
- ▶ (1/ea) Cup, Specimen with Screw Lid
- ▶ (1/ea) Gown, Surgical, XL
- ▶ (1/ea) Gown, Surgical, XL with Towel
- ▶ (1/ea) Holder, Scalpel
- ▶ (1/ea) Lid for Medicine Cup



- ▶ (1/ea) Marker, Skin, Standard Tip
- ▶ (1/ea) Needle Counter
- ▶ (1/ea) Pitcher, 1200cc
- ▶ (1/pk) Sponge, Gauze, 4" x 4", 16ply, X-Ray, 10/pk
- ▶ (2/pk) Sponge, Lap, 18"x 18", 4ply, X-Ray, 5/pk
- ▶ (1/ea) Suction Handle, Yankauer
- ▶ (1/ea) Syringe, Bulb, Irrigating, 60ml
- ▶ (8/ea) Towel, Cotton, Blue
- ▶ (1/ea) Tubing, Suction, 1/4" x 12"
- ▶ (1/ea) Wrap, CSR, 54" x 72"

Basic Laparotomy Procedure Pack 570-1589, 3ea/CS

Includes:

- ▶ (1/ea) Bag, Disposal
- ▶ (1/ea) Basin, Emesis, 700cc
- ▶ (1/ea) Basin, Ring, 6000cc
- ▶ (2/ea) Blade, Carbon, #10
- ▶ (1/ea) Blade, Carbon, #15
- ▶ (1/ea) Bowl, 32oz/1000ml
- ▶ (1/ea) Cover, Back Table, Zone Reinforced 70" x 110"
- ▶ (1/ea) Cover, Mayo Stand
- ▶ (2/ea) Cup, Medicine, 60cc
- ▶ (1/ea) Cup, Specimen with Screw Lid
- ▶ (1/ea) Drape, Laparotomy with Armboard Cover 104" x 120"
- ▶ (4/ea) Drape, Utility with Tape, 15x26"
- ▶ (1/ea) Gown, Surgical, Fabric Reinforced, XL, with Towel
- ▶ (2/ea) Gown, Surgical, Film Reinforced, L
- ▶ (1/ea) Label, Set, Waterproof
- ▶ (1/ea) Marker, Skin, Dual Tip
- ▶ (1/ea) Needle Counter
- ▶ (1/ea) Needle, 22g x 1.5"
- ▶ (1/ea) Needle, Eclipse, 25g x 1.5"
- ▶ (1/ea) Pitcher, 1200cc



- ▶ (1/ea) Ruler, 6"
- ▶ (1/pk) Sponge, Gauze, 4" x 4", 16ply, X-Ray, 10/pk
- ▶ (2/pk) Sponge, Lap, 18"x 18", 4ply, X-Ray, 5/pk
- ▶ (1/ea) Suction Handle, Yankauer
- ▶ (1/ea) Syringe, 10ml, L/L
- ▶ (1/ea) Syringe, Bulb, Irrigating, 60ml
- ▶ (6/ea) Towel, Cotton, Blue
- ▶ (4/ea) Towel, Low Lint, Blue
- ▶ (1/ea) Tubing, Suction, 1/4" x 12"
- ▶ (1/ea) Wrap, CSR, 54" x 54"

Laparoscopy Procedure Pack 570-1590, 3ea/CS

Includes:

- ▶ (1/ea) Anti fog Kit, Solution
- ▶ (1/ea) Bag, Disposal
- ▶ (1/ea) Basin, Emesis, 700cc
- ▶ (1/ea) Basin, Ring, 6000cc
- ▶ (1/ea) Blade, Carbon, #15
- ▶ (1/ea) Bowl, 32oz/1000ml
- ▶ (1/ea) Cover, Back Table Zone Reinforced 70" x 110"
- ▶ (1/ea) Cover, Mayo Stand
- ▶ (2/ea) Cup, Medicine, 60cc
- ▶ (1/ea) Cup, Specimen with Screw Lid
- ▶ (1/ea) Drape, Laparotomy
- ▶ (2/ea) Gown, Surgical, XL
- ▶ (1/ea) Gown, Surgical, XL with Towel
- ▶ (1/ea) Label, Set, Waterproof
- ▶ (1/ea) Marker, Skin, Dual Tip
- ▶ (1/ea) Needle Counter
- ▶ (1/ea) Needle, 22g x 1.5"
- ▶ (1/ea) Needle, Eclipse, 25g x 1.5"
- ▶ (1/ea) Ruler, 6"



- ▶ (1/ea) Scalpel, #11
- ▶ (1/pk) Sponge, Gauze, 4" x 4", 16ply, X-Ray, 10/pk
- ▶ (1/pk) Sponge, Lap, 18"x 18", 4ply, X-Ray, 5/pk
- ▶ (1/ea) Syringe, 10mL, L/L
- ▶ (4/ea) Towel, Cotton, Blue 25x16"
- ▶ (2/ea) Towel, Low Lint, Blue, 17x26"
- ▶ (1/ea) Tubing, Insufflation with Filter
- ▶ (1/ea) Tubing, Suction, 1/4" x 12"
- ▶ (1/ea) Wrap, CSR, 54" x 54"

Breast Procedure Pack 570-1690, 3ea/CS

Includes:

- ▶ (1/ea) Bag, Disposal
- ▶ (1/ea) Basin, Emesis, 700cc
- ▶ (1/ea) Basin, Ring, 6000cc
- ▶ (2/ea) Blade, Carbon, #10
- ▶ (1/ea) Blade, Carbon, #15
- ▶ (1/ea) Bowl, 32oz/1000ml
- ▶ (1/ea) Cover, Back Table, Zone Reinforced 70" x 110"
- ▶ (1/ea) Cover, Mayo Stand
- ▶ (2/ea) Cup, Medicine, 60cc
- ▶ (1/ea) Cup, Specimen with Screw Lid
- ▶ (1/ea) Drape, Chest
- ▶ (4/ea) Drape, Utility
- ▶ (1/ea) Gown, Surgical, XL
- ▶ (1/ea) Gown, Surgical, XL with Towel
- ▶ (1/ea) Label, Set, Waterproof
- ▶ (1/ea) Marker, Skin, Dual Tip
- ▶ (1/ea) Needle Counter
- ▶ (1/ea) Needle, 22g x 1.5"
- ▶ (1/ea) Needle, Eclipse, 25g x 1.5"



- ▶ (1/ea) Pitcher, 1200cc
- ▶ (1/ea) Ruler, 6"
- ▶ (1/pk) Sponge, Gauze, 4" x 4", 16ply, X-Ray, 10/pk
- ▶ (2/pk) Sponge, Lap, 18" x 18", 4ply, X-Ray, 5/pk
- ▶ (1/ea) Suction Handle, Yankauer
- ▶ (1/ea) Syringe, 10ml, L/L
- ▶ (1/ea) Syringe, Bulb, Irrigating, 60ml
- ▶ (4/ea) Towel, Cotton, Blue
- ▶ (4/ea) Towel, Low Lint, Blue
- ▶ (1/ea) Tubing, Suction, 1/4" x 12"
- ▶ (1/ea) Wrap, CSR, 54" x 54"

Plastics Procedure Pack 570-1584, 6ea/CS

Includes:

- ▶ (10/ea) Applicator, 6"
- ▶ (1/ea) Bag, Disposal
- ▶ (1/ea) Basin, Emesis, 700cc
- ▶ (1/ea) Blade, Stainless, #16
- ▶ (1/ea) Bowl, 32oz/1000ml
- ▶ (1/ea) Cautery Pencil
- ▶ (1/ea) Cover, Back Table, Fully Reinforced 50x90"
- ▶ (1/ea) Cover, Mayo Stand
- ▶ (2/ea) Cup, Medicine, 60cc
- ▶ (1/ea) Drape, Head, 127 x 91cm
- ▶ (1/ea) Drape, Split, 76" x 110"
- ▶ (4/ea) Drape, Utility
- ▶ (2/ea) Gown, Surgical, XL
- ▶ (1/ea) Gown, Surgical, XL with Towel
- ▶ (10/ea) Labels, Blank
- ▶ (1/ea) Marker, Skin, Dual Tip
- ▶ (1/ea) Needle Counter
- ▶ (1/ea) Pouch, Diathermy, 1 Pocket
- ▶ (1/ea) Ruler, 6"



- ▶ (1/ea) Scalpel, Safety, #11
- ▶ (10/ea) Spears, Eye, 10/pk
- ▶ (1/pk) Sponge, Gauze, 4" x 4", 16ply, X-Ray, 10/pk
- ▶ (1/ea) Suction Handle, Frazier
- ▶ (1/ea) Syringe, 10mL, L/L
- ▶ (1/ea) Syringe, 3cc L/L
- ▶ (1/ea) Syringe, Bulb, Irrigating, 60ml
- ▶ (1/ea) Syringe, Control, 10ml, L/L
- ▶ (6/ea) Towel, Cotton, Blue
- ▶ (1/ea) Tubing, Suction, 1/4" x 12"

Basic Eye Procedure Pack 570-1583, 8ea/CS

Includes:

- ▶ (10/ea) Applicator, 3"
- ▶ (1/ea) Bag, Disposal
- ▶ (1/ea) Bag, Self-Closure
- ▶ (1/ea) Bowl, 32oz/1000ml
- ▶ (1/ea) Cover, Back Table, 44" x 75"
- ▶ (1/ea) Cover, Mayo Stand
- ▶ (2/ea) Cup, Medicine, 60cc
- ▶ (1/ea) Drape, Ophthalmic, 48" x 51"
- ▶ (1/ea) Gown, Surgical, XL
- ▶ (1/ea) Gown, Surgical, XL with Towel
- ▶ (1/ea) Label, Set, Waterproof
- ▶ (1/ea) Marker, Skin, Standard Tip
- ▶ (1/ea) Needle Counter
- ▶ (1/ea) Needle, 25g x 5/8"
- ▶ (1/ea) Pad, Eye
- ▶ (1/ea) Shield, Eye
- ▶ (10/ea) Spears, Eye, 10/pk
- ▶ (1/pk) Sponge, Gauze, 4" x 4", 12ply, 10/pk
- ▶ (1/ea) Syringe 3ml, L/L
- ▶ (1/ea) Syringe, 1cc, L/S
- ▶ (1/ea) Syringe, Bulb, 2oz
- ▶ (4/ea) Towel, Low Lint, Blue
- ▶ (1/ea) Wipe, Instrument



ENT Basic Procedure Pack 570-1585, 6ea/CS

Includes:

- ▶ (1/ea) Bag, Disposal
- ▶ (1/ea) Blade, Carbon, #15
- ▶ (1/ea) Bowl, 16oz/500ml
- ▶ (1/ea) Bowl, 32oz/1000ml
- ▶ (1/ea) Cover, Back Table, Full Reinforced, 50x90"
- ▶ (1/ea) Cover, Mayo Stand
- ▶ (4/ea) Cup, Medicine, 60cc
- ▶ (1/ea) Drape, Half, 60" x 44"
- ▶ (1/ea) Drape, Split, 76" x 110"
- ▶ (1/ea) Gown, Surgical, XL
- ▶ (1/ea) Gown, Surgical, XL with Towel
- ▶ (10/ea) Labels, Blank
- ▶ (1/ea) Marker, Skin, Dual Tip
- ▶ (1/ea) Needle Counter
- ▶ (1/ea) Needle, Aluminum Hub, A Bevel, 27g x 1.25"
- ▶ (1/ea) Ruler, 6"
- ▶ (1/pk) Sponge, Gauze, 4" x 4", 16ply, X-Ray, 10/pk
- ▶ (1/ea) Syringe, Control, 10ml, L/L
- ▶ (3/ea) Towel, Cotton, Blue
- ▶ (1/ea) Tubing, Suction, 1/4" x 12"



Head and Neck Procedure Pack 570-1586, 2ea/CS

Includes:

- ▶ (1/ea) Bag, Disposal
- ▶ (1/ea) Basin, Emesis, 700cc
- ▶ (1/ea) Basin, Ring, 6000cc
- ▶ (1/ea) Blade, Carbon, #10
- ▶ (1/ea) Blade, Carbon, #15
- ▶ (2/ea) Bowl, 32oz/1000ml
- ▶ (1/ea) Cover, Back Table, Full Reinforced 50" x 90"
- ▶ (1/ea) Cover, Mayo Stand
- ▶ (2/ea) Cup, Medicine, 60cc
- ▶ (1/ea) Cup, Specimen with Screw Lid
- ▶ (1/ea) Drape, Half
- ▶ (1/ea) Drape, Head with Detachable Turban
- ▶ (1/ea) Drape, Split
- ▶ (2/ea) Gown, Surgical, XL
- ▶ (1/ea) Gown, Surgical, XL with Towel
- ▶ (1/ea) Label, Set, Waterproof
- ▶ (1/ea) Marker, Skin, Dual Tip
- ▶ (1/ea) Needle Counter
- ▶ (1/ea) Needle, 18g x 1.5"
- ▶ (1/ea) Needle, 25g x 1.5"
- ▶ (1/ea) Pad, Telfa 8" x 3"
- ▶ (1/ea) Pitcher, 1200cc
- ▶ (1/ea) Ruler, 6"
- ▶ (2/pk) Sponge, Gauze, 4" x 4", 16ply, X-Ray, 10/pk
- ▶ (1/pk) Sponge, Lap, 18" x 18", 4ply, X-Ray, 5/pk
- ▶ (1/ea) Suction Handle, Yankauer
- ▶ (1/ea) Syringe, 10ml, L/L
- ▶ (1/ea) Syringe, Bulb, Irrigating, 60ml
- ▶ (6/ea) Towel, Cotton, Blue
- ▶ (4/ea) Towel, Low Lint, Blue
- ▶ (1/ea) Tubing, Suction, 1/4" x 12"
- ▶ (1/ea) Wrap, CSR, 54" x 54



Nasal & Sinus Procedure Pack

570-1587, 4ea/CS

Includes:

- ▶ (6/ea) Applicator, 6"
- ▶ (1/ea) Bag, Disposal
- ▶ (1/ea) Bag, Self-Closure
- ▶ (1/ea) Basin, Emesis, 700cc
- ▶ (1/ea) Bowl, 32oz/1000ml
- ▶ (1/ea) Cover, Back Table, Full Reinforced, 50" x 90"
- ▶ (1/ea) Cover, Mayo Stand
- ▶ (2/ea) Cup, Medicine, 60cc
- ▶ (1/ea) Cup, Specimen with Screw Lid
- ▶ (1/ea) Depressor, Tongue, 6"
- ▶ (1/ea) Drape, Head with Detachable Turban
- ▶ (1/ea) Drape, Split
- ▶ (1/ea) Gown, Surgical, XL
- ▶ (1/ea) Gown, Surgical, XL with Towel
- ▶ (1/ea) Label, Set, Waterproof
- ▶ (1/ea) Marker, Skin, Dual Tip
- ▶ (1/ea) Needle Counter
- ▶ (1/ea) Needle, 25g x 1.5"
- ▶ (1/ea) Ruler, 6"
- ▶ (1/pk) Sponge, Gauze, 4" x 4", 16ply, X-Ray, 10/pk
- ▶ (1/pk) Sponge, Gauze, 4" x 4", 12ply, 10/pk
- ▶ (1/ea) Suction Handle, Yankauer
- ▶ (2/ea) Syringe, 10ml, L/L
- ▶ (1/ea) Syringe, Bulb, 3oz
- ▶ (4/ea) Towel, Cotton, Blue
- ▶ (2/ea) Towel, Low Lint, Blue
- ▶ (1/ea) Tray, Half Deep, 9" x 5" x 2"
- ▶ (1/ea) Tubing, Suction, 1/4" x 12"



Hand Procedure Pack

570-1581, 6ea/CS

Includes:

- ▶ (1/ea) Bag, Disposal
- ▶ (1/ea) Bag, Self-Closure
- ▶ (1/ea) Bandage, Esmark, 4" x 9'
- ▶ (1/ea) Basin, Emesis, 700cc
- ▶ (1/ea) Blade, Carbon, #15
- ▶ (1/ea) Bowl, 32oz/1000ml
- ▶ (1/ea) Cover, Back Table, Zone Reinforced 70" x 110"
- ▶ (1/ea) Cover, Mayo Stand
- ▶ (1/ea) Cup, Medicine, 60cc
- ▶ (1/ea) Drape, Hand, 191 x 290 x 371 cm
- ▶ (1/ea) Drape, Split, Impervious
- ▶ (1/ea) Dressing, Xeroform, 1" x 8"
- ▶ (1/ea) Gown, Surgical, XL
- ▶ (1/ea) Gown, Surgical, XL with Towel
- ▶ (1/ea) Marker, Skin, Standard Tip
- ▶ (1/ea) Needle Counter
- ▶ (1/ea) Needle, 25g x 1.5"
- ▶ (1/ea) Ruler, 6"
- ▶ (1/pk) Sponge, Gauze, 4" x 4", 16ply, X-Ray, 10/pk
- ▶ (1/ea) Stockinette, 2ply
- ▶ (1/ea) Syringe, 10mL, L/L
- ▶ (1/ea) Syringe, 30mL, L/L
- ▶ (1/ea) Syringe, Bulb, Irrigating, 60ml
- ▶ (6/ea) Towel, Cotton, Blue



Podiatry Procedure Pack**570-1582, 4ea/CS****Includes:**

- ▶ (1/ea) Bag, Disposal
- ▶ (3/ea) Bag, Self-Closure
- ▶ (1/ea) Bandage, Esmark, 4" x 9'
- ▶ (1/ea) Bandage, Cohesive, Tan, 4" x 5yd
- ▶ (2/ea) Blade, Carbon, #15
- ▶ (1/ea) Cover, Back Table, Full Reinforced 50" x 90"
- ▶ (1/ea) Cover, Mayo Stand
- ▶ (2/ea) Cup, Medicine, 60cc
- ▶ (1/ea) Drape, Lower Extremity
- ▶ (1/ea) Gown, Surgical, XL
- ▶ (1/ea) Gown, Surgical, XL with Towel
- ▶ (1/ea) Label, Set, Waterproof
- ▶ (1/ea) Marker, Skin, Dual Tip
- ▶ (1/ea) Needle Counter
- ▶ (1/ea) Needle, 18g x 1.5"
- ▶ (1/ea) Needle, 25g x 1.5"
- ▶ (1/ea) Ruler, 6"
- ▶ (1/pk) Sponge, Gauze, 4" x 4", 16ply, X-Ray, 10/pk
- ▶ (1/pk) Sponge, Gauze, 4" x 4", 12ply, 10/pk
- ▶ (1/pk) Sponge, Lap, 18" x 18", 4ply, X-Ray, 5/pk



- ▶ (1/ea) Stockinette, Impervious, Large
- ▶ (1/ea) Syringe, 10mL, L/L
- ▶ (1/ea) Syringe, 30mL, L/L
- ▶ (1/ea) Syringe, Bulb, Irrigating, 60ml
- ▶ (4/ea) Towel, Cotton, Blue
- ▶ (2/ea) Towel, Low Lint, Blue
- ▶ (1/ea) Tubing, Suction, 1/4" x 12"

Extremity Procedure Pack**570-1576, 6ea/CS****Includes:**

- ▶ (1/ea) Bag, Disposal
- ▶ (2/ea) Bag, Self-Closure
- ▶ (1/ea) Bandage, Elastic, 4" x 5yd
- ▶ (1/ea) Bandage, Esmark, 4" x 9'
- ▶ (1/ea) Basin, Emesis, 700cc
- ▶ (1/ea) Blade, Carbon, #10
- ▶ (2/ea) Blade, Carbon, #15
- ▶ (1/ea) Bowl, 32oz/1000ml
- ▶ (1/ea) Cautery Pencil with Holster
- ▶ (1/ea) Cover, Back Table, Zone Reinforced 70" x 110"
- ▶ (2/ea) Cover, Light Handle, Flexible
- ▶ (1/ea) Cover, Mayo Stand
- ▶ (1/ea) Cup, Medicine, 60cc
- ▶ (1/ea) Drape, Large
- ▶ (1/ea) Drape, Lower Extremity
- ▶ (1/ea) Drape, Split, Impervious
- ▶ (1/ea) Electrode, Cautery
- ▶ (1/ea) Gown, Surgical, Reinforced, XL
- ▶ (1/ea) Gown, Surgical, XL with Towel
- ▶ (1/ea) Label, Set, Waterproof



- ▶ (1/ea) Marker, Skin, Standard Tip
- ▶ (1/ea) Needle Counter
- ▶ (1/ea) Needle, 22g x 1.5"
- ▶ (1/ea) Ruler, 6"
- ▶ (1/pk) Sponge, Gauze, 4" x 4", 16ply, X-Ray, 10/pk
- ▶ (1/pk) Sponge, Gauze, 4" x 4", 12ply, 10/pk
- ▶ (1/ea) Stockinette, Impervious, Large
- ▶ (1/ea) Syringe, 10mL, L/L
- ▶ (1/ea) Syringe, Bulb, Irrigating, 60ml
- ▶ (7/ea) Towel, Cotton, Blue
- ▶ (1/ea) Tubing, Suction, 1/4" x 12"

Upper Extremity Procedure Pack 570-1580, 4ea/CS

Includes:

- ▶ (1/ea) Bag, Disposal
- ▶ (2/ea) Blade, Carbon, #15
- ▶ (1/ea) Cover, Back Table, Zone Reinforced, 70" x 110"
- ▶ (1/ea) Cover, Mayo Stand
- ▶ (1/ea) Cup, Medicine, 60cc
- ▶ (1/ea) Drape, Lower Extremity
- ▶ (1/ea) Drape, Three-Quarter
- ▶ (1/ea) Dressing, Xeroform, 1" x 8"
- ▶ (1/ea) Gown, Surgical, XL
- ▶ (1/ea) Gown, Surgical, XL with Towel
- ▶ (1/ea) Marker, Skin, Standard Tip
- ▶ (1/ea) Needle Counter
- ▶ (1/ea) Needle, 25g x 1.5"
- ▶ (1/ea) Ruler, 6"
- ▶ (1/pk) Sponge, Gauze, 4" x 4", 16ply, X-Ray, 10/pk
- ▶ (1/pk) Sponge, Lap, 18" x 18", 4ply, X-Ray, 5/pk
- ▶ (1/ea) Stockinette, Impervious, Large
- ▶ (1/ea) Syringe, 10ml, L/L
- ▶ (1/ea) Syringe, Bulb, Irrigating, 60ml
- ▶ (6/ea) Towel, Cotton, Blue
- ▶ (1/ea) Tray, Half Deep, 9" x 5" x 2"
- ▶ (1/ea) Tubing, Suction, 1/4" x 12"



Knee Arthroscopy Procedure Pack 570-1575, 4ea/CS

Includes:

- ▶ (1/ea) Bag, Disposal
- ▶ (2/ea) Bag, Self-Closure
- ▶ (1/ea) Bandage, Elastic, 6" x 5yd
- ▶ (1/ea) Bandage, Esmark, 6" x 12'
- ▶ (1/ea) Bandage, Cohesive, Tan, 4" x 5yd
- ▶ (1/ea) Blade, Carbon, #11
- ▶ (1/ea) Bowl, 32oz/1000ml
- ▶ (1/ea) Cover, Back Table, Full Reinforced, 50" x 90"
- ▶ (1/ea) Cover, Mayo Stand
- ▶ (1/ea) Cup, Medicine, 60cc
- ▶ (1/ea) Drape, Arthroscopy
- ▶ (1/ea) Drape, Large, 76" x 60"
- ▶ (1/ea) Drape, Split, Impervious
- ▶ (1/ea) Dressing, Xeroform, 1" x 8"
- ▶ (2/ea) Gown, Surgical, Breathable, XL
- ▶ (1/ea) Label, Set, Waterproof
- ▶ (1/ea) Marker, Skin, Standard Tip
- ▶ (1/ea) Needle Counter
- ▶ (1/ea) Needle, 18g x 1.5"
- ▶ (1/ea) Needle, Spinal, 18g x 3.5"
- ▶ (1/ea) Padding, Cast 6" x 4yd
- ▶ (1/ea) Ruler, 6"
- ▶ (1/pk) Sponge, Gauze, 4" x 4", 16ply, X-Ray, 10/pk
- ▶ (1/pk) Sponge, Gauze, 4" x 4", 12ply, 10/pk
- ▶ (1/ea) Stockinette, Impervious, Large
- ▶ (1/ea) Syringe, 10mL, L/L
- ▶ (1/ea) Syringe, 30mL, L/L
- ▶ (8/ea) Towel, Cotton, Blue
- ▶ (1/ea) Tray, Half Deep, 9" x 5" x 2"
- ▶ (1/ea) Tubing, Suction, 1/4" x 12"
- ▶ (1/ea) Wrap, Poly, 30" x 30"



Knee Arthroscopy Plus Procedure Pack 570-1577, 3ea/CS

Includes:

- ▶ (1/ea) Bag, Disposal
- ▶ (1/ea) Bag, Self-Closure
- ▶ (1/ea) Bandage, Cohesive, 6" x 5yd
- ▶ (1/ea) Bandage, Esmark, 4" x 9'
- ▶ (1/ea) Basin, Emesis, 700cc
- ▶ (1/ea) Basin, Ring, 6000cc
- ▶ (1/ea) Blade, Carbon, #11
- ▶ (1/ea) Blade, Carbon, #15
- ▶ (1/ea) Bowl, 32oz/1000ml
- ▶ (1/ea) Bowl, 48oz/1500cc
- ▶ (1/ea) Cover, Back Table, Zone Reinforced, 70" x 110"
- ▶ (1/ea) Cover, Mayo Stand
- ▶ (2/ea) Cup, Medicine, 60cc
- ▶ (1/ea) Drape, Arthroscopy
- ▶ (1/ea) Drape, Large, 76" x 60"
- ▶ (2/ea) Drape, Split, Impervious
- ▶ (2/ea) Gown, Surgical, Breathable, XL, X-Long
- ▶ (1/ea) Gown, Surgical, XL with Towel
- ▶ (1/ea) Marker, Skin, Standard Tip
- ▶ (1/ea) Needle Counter
- ▶ (1/ea) Needle, 18g x 1.5"
- ▶ (1/ea) Needle, Spinal, 18g x 3.5"
- ▶ (1/ea) Ruler, 6"
- ▶ (1/pk) Sponge, Gauze, 4" x 4", 16ply, X-Ray, 10/pk
- ▶ (1/ea) Stockinette, Impervious, Large
- ▶ (1/ea) Syringe, 10mL, L/L
- ▶ (1/ea) Syringe, 30mL, L/L
- ▶ (8/ea) Towel, Cotton, Blue
- ▶ (1/ea) Tubing, Suction, 1/4" x 12"
- ▶ (1/ea) Wrap, CSR, 54" x 54"



Shoulder Arthroscopy Procedure Pack 570-1578, 6ea/CS

Includes:

- ▶ (1/ea) Bag, Disposal
- ▶ (1/ea) Bandage, Cohesive, Tan, 4" x 5yd
- ▶ (1/ea) Blade, Carbon, #11
- ▶ (1/ea) Blade, Carbon, #15
- ▶ (1/ea) Cover, Back Table, Zone Reinforced 70" x 110"
- ▶ (1/ea) Cover, Mayo Stand
- ▶ (2/ea) Cup, Medicine, 60cc
- ▶ (1/ea) Drape, Large
- ▶ (1/ea) Drape, Shoulder Split, 100" x 66"
- ▶ (1/ea) Drape, Split, Impervious
- ▶ (2/ea) Gown, Surgical, Breathable, XL, X-Long
- ▶ (1/ea) Gown, Surgical, XL with Towel
- ▶ (1/ea) Marker, Skin, Standard Tip
- ▶ (1/ea) Needle Counter
- ▶ (1/ea) Needle, 18g x 1.5"
- ▶ (1/ea) Needle, Spinal, 18g x 3.5"
- ▶ (1/ea) Ruler, 6"
- ▶ (1/pk) Sponge, Gauze, 4" x 4", 16ply, X-Ray, 10/pk
- ▶ (1/ea) Stockinette, Impervious, Medium
- ▶ (1/ea) Syringe, 10mL, L/L
- ▶ (1/ea) Syringe, 30mL, L/L
- ▶ (8/ea) Towel, Cotton, Blue
- ▶ (1/ea) Tray, Half Deep, 9" x 5" x 2"
- ▶ (1/ea) Tubing, Suction, 1/4" x 12"
- ▶ (1/ea) U-Drape



Shoulder Beach Chair Procedure Pack 570-1579, 4ea/CS

Includes:

- ▶ (1/ea) Bag, Disposal
- ▶ (1/ea) Bandage, Cohesive, Tan, 4" x 5yd
- ▶ (1/ea) Blade, Carbon, #11
- ▶ (1/ea) Blade, Carbon, #15
- ▶ (1/ea) Cover, Back Table, Zone Reinforced, 70" x 110"
- ▶ (1/ea) Cover, Mayo Stand
- ▶ (2/ea) Cup, Medicine, 60cc
- ▶ (1/ea) Drape, Large
- ▶ (1/ea) Drape, Shoulder, Beach Chair
- ▶ (1/ea) Drape, Split, Impervious
- ▶ (2/ea) Gown, Surgical, Breathable, XL, X-Long
- ▶ (1/ea) Gown, Surgical, XL with Towel
- ▶ (1/ea) Marker, Skin, Standard Tip
- ▶ (1/ea) Needle Counter
- ▶ (1/ea) Needle, 18g x 1.5"
- ▶ (1/ea) Needle, Spinal, 18g x 3.5"
- ▶ (1/ea) Ruler, 6"
- ▶ (1/pk) Sponge, Gauze, 4" x 4", 16ply, X-Ray, 10/pk
- ▶ (1/ea) Stockinette, Impervious, Medium
- ▶ (1/ea) Syringe, 10mL, L/L
- ▶ (1/ea) Syringe, 30mL, L/L
- ▶ (8/ea) Towel, Cotton, Blue
- ▶ (1/ea) Tray, Half Deep, 9" x 5" x 2"
- ▶ (1/ea) Tubing, Suction, 1/4" x 12"



Cardiac Cath Procedure Pack 570-1588, 6ea/CS

Includes:

- ▶ (1/ea) Band Bag, 36" x 40"
- ▶ (1/ea) Blade, Carbon, #11
- ▶ (1/ea) Bowl, Guidewire, 2500ml
- ▶ (1/ea) Bowl, 32oz/1000ml
- ▶ (1/ea) Cover, Back Table
- ▶ (1/ea) Cover, Set-Up
- ▶ (1/ea) Cup, Medicine, 60cc
- ▶ (1/ea) Drape, Femoral Angiography
- ▶ (1/ea) Forcep, Mosquito, Halstead, Curved 5"
- ▶ (4/ea) Forcep, 5.5"
- ▶ (2/ea) Gown, Surgical, XL
- ▶ (1/ea) Holder, Sharps
- ▶ (1/ea) Label, Set, Waterproof
- ▶ (1/ea) Marker, Skin, Dual Tip
- ▶ (1/ea) Needle, 18g x 1.5"
- ▶ (1/ea) Needle, 25g x 1.5"
- ▶ (1/ea) Needle, Introducer, 18g x 7cm
- ▶ (40/ea) Sponge, Nonwoven, 4" x 4", 4ply
- ▶ (4/ea) Syringe, 10mL, L/L
- ▶ (2/ea) Syringe, 20ml, L/L
- ▶ (1/ea) Syringe, Control, 3 Ring, 10ml, L/L
- ▶ (4/ea) Towel, Cotton, Blue
- ▶ (2/ea) Towel, Paper, White



Procedural packs that meet your needs

Let our team of experienced Surgical Specialists collaborate with you to ensure that your pack program is optimized for your surgery practice.

Custom surgical and procedure packs can help you reduce waste and quicken O.R. turnaround time.



LOOKING FOR MORE SUPPORT AND SAVINGS?

Ask your Henry Schein Sales Consultant about the CPT Customer Loyalty Program for eligibility and requirements.

Ask to See Our **Premium** Surgical-Grade **Instruments**

Maxima[®]
by Henry Schein

Premium surgical-grade instruments expertly crafted from German Stainless Steel* to conform to rigid specifications and standards that ensure our instruments consistently meet and exceed the high quality and performance expectations of our valued Surgical customers.

Designed for your general practice needs as well as your more specialized surgical needs.

Maxima[®] Surgical Instruments are tailored for a broad spectrum of specialties and procedures.

*Excludes product marked by †



For more information or for a comprehensive no-obligation consult, contact your Henry Schein Surgical Specialists at SurgicalSolutions@henryschein.com.

SURGICAL GLOVES

CRITERION POLYISOPRENE SURGICAL GLOVES

Item Number	Description	Size	Box Quantity
570-1119	Criterion Polyisoprene Surgical Gloves	5.5	50 Pairs/Box
570-1120	Criterion Polyisoprene Surgical Gloves	6.0	50 Pairs/Box
570-1121	Criterion Polyisoprene Surgical Gloves	6.5	50 Pairs/Box
570-1122	Criterion Polyisoprene Surgical Gloves	7.0	50 Pairs/Box
570-1123	Criterion Polyisoprene Surgical Gloves	7.5	50 Pairs/Box
570-1124	Criterion Polyisoprene Surgical Gloves	8.0	50 Pairs/Box
570-1125	Criterion Polyisoprene Surgical Gloves	8.5	50 Pairs/Box
570-1126	Criterion Polyisoprene Surgical Gloves	9.0	50 Pairs/Box



CRITERION CR POLYCHLOROPRENE SURGICAL GLOVES

Item Number	Description	Size	Box Quantity
112-7079	Criterion CR Polychloroprene Surgical Gloves	5.5	50 Pairs/Box
112-7080	Criterion CR Polychloroprene Surgical Gloves	6.0	50 Pairs/Box
112-7081	Criterion CR Polychloroprene Surgical Gloves	6.5	50 Pairs/Box
112-7082	Criterion CR Polychloroprene Surgical Gloves	7.0	50 Pairs/Box
112-7083	Criterion CR Polychloroprene Surgical Gloves	7.5	50 Pairs/Box
112-7085	Criterion CR Polychloroprene Surgical Gloves	8.0	50 Pairs/Box
112-7086	Criterion CR Polychloroprene Surgical Gloves	8.5	50 Pairs/Box
112-7088	Criterion CR Polychloroprene Surgical Gloves	9.0	50 Pairs/Box



CRITERION LATEX SURGICAL GLOVES

Item Number	Description	Size	Box Quantity
570-2102	Criterion Latex Surgical Gloves	5.5	50 Pairs/Box
570-2103	Criterion Latex Surgical Gloves	6.0	50 Pairs/Box
570-2104	Criterion Latex Surgical Gloves	6.5	50 Pairs/Box
570-2105	Criterion Latex Surgical Gloves	7.0	50 Pairs/Box
570-2106	Criterion Latex Surgical Gloves	7.5	50 Pairs/Box
570-2107	Criterion Latex Surgical Gloves	8.0	50 Pairs/Box
570-2108	Criterion Latex Surgical Gloves	8.5	50 Pairs/Box
570-2109	Criterion Latex Surgical Gloves	9.0	50 Pairs/Box



OPERATING ROOM ACCESSORIES

BOUFFANT CAPS

Bouffant Cap



Item Number	Size	Color	Box Quantity
102-4151	21 inches	White	100/BX, 5 BX/CS
102-6614	24 inches	White	100/BX, 5 BX/CS
104-6032	21 inches	Blue	100/BK
104-6058	24 inches	Blue	100/BK

SHOE COVERS

Shoe Covers



Item Number	Size	Color	Box Quantity
104-9452	One-Size	Blue	50 PAIR/BX, 3BX/CS
104-6350	One-Size	Blue	150 PAIR/CS

MASKS

Earloop Maxima ASTM Level 3 Face Mask



Item Number	Size	Color	Box Quantity
570-2044	One-Size	Blue	50/BX, 40BX/CS
570-2045	One-Size	Pink	50/BX

MASKS (continued)

Tie On Pleated Surgical Face Mask



Item Number	Size	Color	Box Quantity
104-6809	One-Size	Blue	50/BX

Ear Loop Face Mask with Eye Shield



Item Number	Size	Color	Box Quantity
104-7321	One-Size	Teal	25/BX

Disposable Clear Safety Face Shield



Item Number	Size	Box Quantity
101-2254	One-Size	24/BX, 12BX/CS

SURGICAL SKIN MARKERS

Skin Marker



Item Number	Description	Color	Box Quantity
900-7018	Standard Tip, Non-Sterile	Dark Blue	100/BX
900-7019	Fine Tip, Sterile	Dark Blue	50/BX
900-7020	Mini, Standard Tip, Non-Sterile	Dark Blue	100/BX

PREP RAZORS

**Double-Sided Shave
Prep Razors, Disposable**

Item Number	Box Quantity
900-7665	100/BX, 10BX/CS



LAPAROTOMY SPONGE

**Prewashed, X-ray Detectable,
Sterile Laparotomy Sponge**

Item Number	Size	Box Quantity
570-1115	18in x 18in	5/Pk, 40 PK/CS



OR TOWELS

**17" x 27" Absorbent
OR Towel**

Item Number	Description	Color	Quantity
570-1113	Non-Sterile, Bulk	Blue	100/CS
570-1117	Blue, Sterile, 2PK	Blue	2/Pk, 40 PK/CS
570-1116	Blue, Sterile, 4PK	Blue	4/Pk, 20 PK/CS
570-1114	Blue, Sterile, 6PK	Blue	6/Pk, 12 PK/CS



POLY-LINED DRAPES

**Surgical 3" Drape/
Towel, 3-Ply, Sterile**

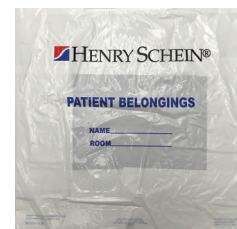
Item Number	Color	Box Quantity
900-4685	Blue, Fenestrated	50/BX, 6 BX/CS
900-4686	Blue, Non-Fenestrated	50/BX, 6 BX/CS



PATIENT BELONGING BAGS

**Plastic 20x20x4",
Single Patient**

Item Number	Color/Description	Box Quantity
570-1179	White Opaque with Handle	250/CS
570-1180	White Opaque with Drawstring	250/CS



Your All-In-One ASC Equipment Solutions

Did you know?

In addition to a broad selection of medical and pharmaceutical supplies, Henry Schein Medical also has a large equipment portfolio to outfit your ASC in the latest technology.

WAITING ROOM

PRE-OP

O.R.

POST-OP

CENTRAL SUPPLY

CENTRAL STERILE

SURGICAL INSTRUMENTS



For more information on Henry Schein Medical Equipment options, consult with your Surgical Specialist @ SurgicalSolutions@henryschein.com.

INFECTION PREVENTION



Maxiclens® Antimicrobial/Antiseptic Skin Cleanser

- ▶ Clear, viscous liquid, 4% chlorhexidine gluconate
- ▶ Formulated with detergents, moisturizers, skin protectors, and humectants that cleanse without drying
- ▶ Fast acting, proven effective at 15 seconds against a broad spectrum of bacteria
- ▶ Persistent; effective for up to 6 hours after use; high level residual action

Item Number	Description	Quantity
431-0032	32-oz Bottle	ea
431-0099	1-gal Bottle	ea
431-1478	Hand Pump for 32-oz Bottle	ea



Maxiwipe® Germicidal Cloths 106-6794, 160/count

- ▶ Cleans and disinfects common hard, nonporous surfaces
- ▶ Bactericidal, tuberculocidal, and virucidal
- ▶ Effective against 13 microorganisms including TB, HBV, MRSA, VRE, and RSV
- ▶ Contains 55% alcohol
- ▶ Meets CDC and OSHA regulations



Maxispray® Plus Surface Disinfectant Cleaner

- ▶ Hospital-level, general purpose disinfectant/cleaner proven to kill TB in 5 minutes, and HBV, HIV, and HCV in 3 minutes
- ▶ EPA-registered as a broad-spectrum disinfectant for both surface and immersion use
- ▶ Bactericidal, virucidal, tuberculocidal, and fungicidal

Item Number	Description	Quantity
101-4114	24-oz Trigger-Spray Bottle	ea
101-0285	1-gal Refill	ea



Surgical Milk

- ▶ Super-concentrated
- ▶ Stops corrosion and maintains free-working instruments
- ▶ Nontoxic and safe to use
- ▶ Permits autoclaving of sharps and carbon steel
- ▶ One gallon of Surgical Milk diluted with 5 gallons of tap water makes 6 gallons of immersion bath milk

Item Number	Description	Quantity
115-9589	1-qt Bottle	ea
102-5539	64-fl-oz Bottle	ea



Maxicide Plus 3.4% Glutaraldehyde Solution with Activator

- ▶ Can be used as a sterilant or high-level disinfectant for up to 28 days
- ▶ 90 minutes at 77°F (25°C) for high-level disinfection
- ▶ 10 hours at 77°F (25°C) for sterilization
- ▶ Clear color before activation; turns blue after activation
- ▶ Activated solution contains anticorrosion and antioxidant ingredients
- ▶ Rapid and effective broad-spectrum kill
- ▶ Pleasant pine scent

Item Number	Description	Quantity
102-5796	1-qt Bottle	ea
102-2865	1-gal Refill Bottle	ea



Maxicide® Solution 2.5% Buffered Glutaraldehyde Solution

- ▶ Can be used as a sterilant and high-level disinfectant for up to 28 days
- ▶ No dilution required
- ▶ Clear color before activation; turns blue after activation
- ▶ Activated solution contains anticorrosion and antioxidant ingredients
- ▶ Rapid and effective broad-spectrum kill
- ▶ Pleasant pine scent

Item Number	Description	Quantity
102-6003	1-qt Bottle	ea
102-7394	1-gal Bottle	ea



Maxicide® Activated Preactivated 2.65% Glutaraldehyde Solution

- ▶ Preactivated
- ▶ Ready to use
- ▶ Fresh, pleasant scent
- ▶ 2.65% glutaraldehyde solution
- ▶ Tuberculocidal in 45 minutes
- ▶ Can be used as a sterilant and high-level disinfectant for up to 30 days

Item Number	Description	Quantity
104-4681	1-gal Bottle	ea



Maxicide® NS Solution 2.6% Alkaline Glutaraldehyde Solution

- ▶ Broad-spectrum kill of pathogenic microorganisms
- ▶ Specifically designed for scopes and ultrasound transducers
- ▶ Reusable sterilizing and high-level disinfecting 14-day solution
- ▶ Contains no surfactants

Item Number	Description	Quantity
102-2866	1-gal Bottle	ea



Maxicide® OPA 28 High-Level Disinfectant

- ▶ A safer, less toxic alternative to glutaraldehyde for high-level disinfection (HLD)
- ▶ Provides a superior way to reprocess heat-sensitive, semicritical medical devices that are unsuitable for sterilization
- ▶ 10-minute manual disinfection time
- ▶ Easy to use
- ▶ No activation required
- ▶ Less likely to irritate the eyes, nose, and throat

Item Number	Description	Quantity
112-6976	Solution	ea
112-6977	Test Strips	50/pkg



Autoclave Bags

- ▶ Built-in Indicator/Paper, 2½" Wide, 1½" Opened Sides
- ▶ Wet-strength, sterilizable paper permits sterilant penetration and acts as a barrier after sterilization
- ▶ Chemical indicator on each bag verifies exposure to sterilization process
- ▶ Indicator ink will have noticeable color change when exposed to sterilization conditions
- ▶ Safety fold design to enhance effectiveness of sterile field
- ▶ Cost-effective alternative to paper/poly pouch; biodegradable

Item Number	Description	Quantity
100-0166	6"	1000/box
100-0529	8"	1000/box
100-1686	10"	1000/box



Self-Seal Autoclave Bag

- ▶ Indicator ink shows noticeable color change when exposed to sterilization conditions
- ▶ Wet-strength, sterilization-grade, white paper permits sterilant penetration and acts as a post sterilization barrier
- ▶ Chemical indicator on each bag verifies exposure to sterilization process
- ▶ Convenient, user-friendly, self-seal closure: no heat sealer necessary, no release liner to peel off to get to the adhesive

Item Number	Description	Quantity
101-5915	2½" x 1½" x 10½"	1000/box



Maxima® Multiparameter Self-Seal Sterilization Pouches

Item Number	Description	Quantity
900-7838	2¼" x 4"	200/box
900-4602	2¾" x 9"	200/box
900-4604	3½" x 5¼"	200/box
900-4601	3½" x 9"	200/box
900-4603	5¼" x 10"	200/box
900-4782	7½" x 13"	200/box
900-4783	12" x 18"	100/box



Dual-Purpose Nylon Film Pouches

- ▶ All-nylon
- ▶ Self-sealing film pouches with indicators
- ▶ Can be used in steam or dry heat

Item Number	Description	Quantity
101-3363	2" x 9½"	100/box
101-3373	3" x 10"	100/box
101-3383	4" x 10"	100/box
101-3393	6" x 11"	100/box



Dual-Purpose Nylon Sterilization Tubing

- ▶ Transparent: makes it easy to identify contents
- ▶ Sturdy: resists tearing and puncturing
- ▶ Dual-purpose: can be used in steam or dry heat
- ▶ 100' rolls

Item Number	Description	Quantity
101-2224	Continuous Clear, 2"	ea
101-2225	Continuous Clear, 3"	ea
101-2226	Continuous Clear, 4"	ea
101-2227	Continuous Clear, 6"	ea
101-1111	Continuous with Indicator, 2"	ea
101-1110	Continuous with Indicator, 3"	ea
101-2222	Continuous with Indicator, 4"	ea
101-2223	Continuous with Indicator, 6"	ea
101-3323	Perforated with Indicator, 2" x 9½"	ea
101-3333	Perforated with Indicator, 3" x 10"	ea
101-3343	Perforated with Indicator, 4" x 10"	ea
101-3353	Perforated with Indicator, 6" x 11"	ea



Self-Seal Sterilization Pouches with Dual Indicators

- ▶ Superior quality pouch with dual indicators that comply with the recommendations of the CDC for effective sterilization*
- ▶ Preprinted internal and external indicators change color when processed with steam and EtO
- ▶ Made with medical-grade paper and an easy-to-open thumb notch
- ▶ Lead-free and not made with natural rubber latex

Item Number	Description	Quantity
112-4859	2¼" x 4"	200/box
112-4856	2¾" x 9"	200/box
112-4857	3½" x 5¼"	200/box
112-4853	3½" x 9"	200/box
112-4855	3½" x 9"	500/box
112-4866	3¾" x 12"	200/box
112-4863	4¼" x 11"	200/box
112-4854	5¼" x 10"	200/box
112-4861	5¼" x 12"	200/box
112-4858	7½" x 13"	200/box
112-4864	8" x 13"	100/box
112-4860	9" x 15"	100/box
112-4862	10½" x 17"	100/box
112-4865	13" x 20"	100/box

*The use of weekly biological indicators is recommended.



CSR Wrap, Single Layer, SMS

Item Number	Size	Color	Box Quantity
100-3347	12" x 12"	Light Blue	100/BX, 10 BX/CS
900-7447	12" x 12"	Dark Blue	500/CS
102-5193	15" x 15"	Light Blue	100/BX, 10 BX/CS
900-7448	15" x 15"	Dark Blue	500/CS
100-4683	18" x 18"	Light Blue	100/BX, 5 BX/CS
900-7449	20" x 20"	Dark Blue	500/CS
100-6950	24" x 24"	Light Blue	100/BX, 5 BX/CS
900-7450	24" x 24"	Dark Blue	500/CS
100-8187	30" x 30"	Light Blue	100/BX, 5 BX/CS
100-2016	36" x 36"	Light Blue	100/BX, 5 BX/CS



Impulse Heat Sealers

- ▶ Strong seal: positive seal for sterilization
- ▶ Automatic on/off: conserves energy
- ▶ Heavy-duty stainless steel heating elements: resist breakage; extended use
- ▶ Equipped with 2 replacement heat elements: minimizes downtime
- ▶ UL approved: safety tested

Item Number	Description	Quantity
100-3048	110-V Unit	ea
101-5802	Replacement Kit	ea

Contains: 2 heating elements, 1 upper cloth & one lower cloth.



Indicator Strips

- ▶ For steam and chemical sterilizers
- ▶ Indicator ink changes from white to black, indicating sterilization process has been completed

Item Number	Description	Quantity
102-6332	Indicator strips	250/box



Lead-Free Steam Indicator Tape

- ▶ Lead-free, resilient, and pressure-sensitive
- ▶ Adhesive tape designed for use on disposable wraps
- ▶ The backing is a natural-colored saturated crepe paper that provides secure wraps throughout sterilization expansion
- ▶ Indicator lines will change from beige color to dark brown/black when proper levels of moisture and temperature have been achieved
- ▶ ISO 11140-1:204 Type 1

Item Number	Description	Quantity
570-1510	¾" Roll	ea
570-1509	1" Roll	ea



Dry Heat Sterilizer Indicator Labels

- ▶ For dry heat sterilizers
- ▶ Indicator ink changes from green to black, indicating sterilization process has been completed

Item Number	Description	Quantity
102-7982	1000-Label Roll	ea



MaxiTest® Steam Sterilization Integrator

- ▶ Class 5 integrating indicator provides users with immediate readout results with no incubation
- ▶ Monitors both gravity displacement prevacuum steam sterilizers and is equivalent in performance to a biological integrator
- ▶ Precise, easy-to-read format provides permanent, physical proof of sterilization conditions

Item Number	Description	Quantity
570-0310	Integrator	100/bag
570-0311	Integrator	1000/bag



MaxiTest® Chemical Vapor Indicator Strip

- ▶ Makes a distinct color change when exposed to the chemical vapor sterilization process
- ▶ An internal chemical indicator strip should be used within each package or tray to be sterilized
- ▶ 4" strip can be written on and kept as permanent record

Item Number	Description	Quantity
570-0382	Strip	250/box



MaxiTest® Mail In Service

- ▶ East-to-use: place MaxiTest strips within an average load; process according to normal procedure; when cycle is complete, remove load from sterilizer and remove test strips; forward to bacteriological laboratory for culturing
- ▶ Suitable for use with all sterilizers: dual-organism spore strips contain both *Bacillus stearothermophilus* and *Bacillus subtilis* so they can be used to monitor all sterilizers, including unsaturated chemical vapor
- ▶ 2 test strips and 1 control strip: provide increased safety to patients and staff; 2 test strips placed in separate areas of the sterilizer provide greater accuracy of test results
- ▶ Biological Sterilization Monitoring Service: MaxiTest includes test sets, culturing service, laboratory reports, all postage and handling, and any device concerning sterilization procedures; the lab cultures are completed in 7 days; however, if any test strip cultures positive (spore growth indicating sterilization failure), the office will be telephoned immediately; if the test strips do not culture positive, the office will receive a laboratory report in approximately 2 weeks, indicating sterilization was achieved

Item Number	Description	Quantity
101-5830	12-Test Package	ea
Contains: 12 packets, each containing 2 test strips & 1 control strip		
101-1253	48-Test Package	ea
Contains: 48 packets, each containing 2 test strips & 1 control strip		

Not for export.



MaxiTest® Value Test Pack

- ▶ Used to test steam, dry heat, chemical vapor, and EtO processes
- ▶ Mail-in service with results reported quarterly
- ▶ Used to test steam, dry heat, chemical vapor, and EtO processes
- ▶ Mail-in service with results reported quarterly
- ▶ Immediate and confidential notification of test failures
- ▶ Test results available electronically
- ▶ Postage not included

Item Number	Description	Quantity
101-4715	52-Test Package	ea

Contains: 52 test packets, each containing 1 test strip & 1 control strip

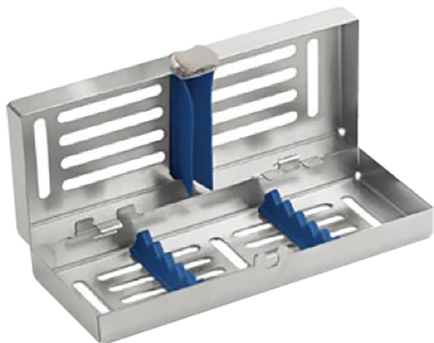
Not for export.



MaxiTest® In-Office Biological Monitoring System

- ▶ In-office system for monitoring steam sterilizers
- ▶ Easy-to-use and interpret
- ▶ Results in 24-48 hours
- ▶ Simply process vial in a normal sterilizer cycle, then activate vial, incubate, and record results
- ▶ If any spores survive the process, the vial medium will turn yellow
- ▶ MaxiTest Incubator is 24 volts and holds up to 14 indicators

Item Number	Description	Quantity
102-6076	Starter Kit	ea
Contains: 1 of each: box of 25 indicators, incubator, crusher & record keeper		
102-5804	Indicator Refill	25/box
112-6848	Indicator Refill	100/box



Instrument Cassettes

5-Instrument Cassette

7.1" x 2.8" x 1.3"

Specify:

Item Number	Color
112-4963	Blue
112-5297	Red
112-5301	Green
112-5442	Yellow
112-5336	Purple

10-Instrument Cassette

7.1" x 5.6" x 1.3"

Specify:

Item Number	Color
112-4964	Blue
112-5299	Red
112-5302	Green
112-5443	Yellow
112-5439	Purple

16-Instrument Cassette

11.3" x 7.1" x 1.3"

Specify:

Item Number	Color
112-4965	Blue
112-5300	Red
112-5303	Green
112-5444	Yellow
112-5441	Purple

Replacement Rail

Specify:

Item Number	Color
112-5455	Blue
112-5456	Red
112-5457	Green
112-5459	Yellow
112-5458	Purple

Replacement Rail

Specify:

Item Number	Color
112-5460	Blue
112-5461	Red
112-5462	Green
112-5463	Yellow
112-5464	Purple

Replacement Rail

Specify:

Item Number	Color
112-5465	Blue
112-5466	Red
112-5468	Green
112-5470	Yellow
112-5469	Purple



MaxiTest® Biological Indicator Test Pack

- ▶ The MaxiTest Steam BI Test Pack with MaxiTest Class 5 Integrator is indicated for use in routine monitoring and sterilizer qualification testing, and allows users to immediately release processed loads
- ▶ Per ANSI/AAMI standards, steam sterilizers should be monitored at least weekly, preferably every day the sterilizer is run

Item Number	Description	Quantity
570-0312	BI test Pack	25/case

Autoclave Cleaner

- ▶ Mild, slightly alkaline liquid that acts as a powerful, concentrated cleaner to remove grease, grime, and accumulation of scale deposits
- ▶ Prolongs the life of the autoclave with routine maintenance
- ▶ Mix 4 oz. of cleaner into 64 oz. of distilled water
- ▶ Excellent for use with steam

Item Number	Description	Quantity
112-5839	32-oz Bottle	ea



MaxiTest® Bowie-Dick Test Pack

- ▶ Disposable pack used to evaluate the efficacy of air removal and steam penetration in prevacuum steam sterilizers
- ▶ Includes frequency of use, instructions for use, and storage/shelf-life information preprinted on the box for ease of use and staff training
- ▶ Lead-free and easy to interpret

Item Number	Description	Quantity
570-0309	BD Test Pack	30/case

MaxiTest® Sterilizer Test Pack

- ▶ The MaxiTest Sterilizer Test Pack with MaxiTest Class 5 Integrator provides immediate readout results
- ▶ Equivalent in performance to an AAMI BI Test Pack
- ▶ No incubation required
- ▶ For use in all steam sterilizer cycles
- ▶ For the highest level of sterility assurance, use in every wrapped, nonimplant sterilizer load

Item Number	Description	Quantity
570-0313	Test Pack	25/case



Super Concentrated Ultrasonic Cleaning Solutions

- ▶ Fast-acting solutions clean quickly and effectively
- ▶ Non-toxic and non-corrosive
- ▶ Metered-dose dispenser top ensures exact dose
- ▶ To Use: loosen cap ½ turn, squeeze to 1-oz mark, and remove cap and pour into glass beaker
- ▶ Available in 3 formulas, 16-oz Metered Dose Bottles

Item Number	Description	Quantity
101-4412	General Purpose Cleaner	ea
(Makes 16 gal) Used for very fast cleaning of blood, mucus, and tissue		
101-0827	Tarter and Stain Remover	ea
(Makes 96 oz) Its citric acid formula is non-corrosive and cleans quickly		
102-6472	Enzymatic Cleaning Solution	ea
(Makes 16 gal) Effective against blood, tissue, and mucus found on instruments		



Ultrasonic Cleaning Solutions General Purpose Cleaner

- ▶ Nonammoniated concentrate
- ▶ Dilute 1:10 for use
- ▶ Effectively cleans items such as dried blood, bone, tissue, oxide compounds, and more
- ▶ Removes ions from instrument's surface to enhance the effectiveness of ultrasonic cleaning unit

Item Number	Description	Quantity
100-3836	1-gal Bottle	ea



MaxiTabs® General Purpose Cleaners

- ▶ Provide safe and effective cleaning properties in multiple cleaning cycles throughout the day
- ▶ Does not leave a residue on instruments or inside tank
- ▶ 1 tablet makes 1 gallon solution

Item Number	Description	Quantity
900-4088	Tablets	32/box



MaxiZyme®

- ▶ Low-foaming enzymatic detergent for use as a presoak manual detergent, ultrasonic detergent, and evacuator cleaner
- ▶ Contains 2 gold-standard proteolytic enzymes for more effective cleaning
- ▶ Safe for instruments
- ▶ Less corrosive than distilled water
- ▶ Dissolves and releases blood and tissue: minimizes handling and scrubbing of contaminated items
- ▶ Nonfoaming: compatible with evacuators, ultrasonic units, and presoaks

Item Number	Description	Quantity
101-9031	1-gal Bottle	ea



Maxizyme® Tabs Enzyme cleaning tabs

- ▶ Contain protease enzymes that break down hard-to-clean deposits such as blood, bone, and food particles that chemical detergents leave behind
- ▶ A single cleaner with 2 uses: ultrasonic and evacuation systems
- ▶ Gentle on instruments: nontoxic, neutral pH, biodegradable, and noncorrosive formula that contains no chlorine or harsh alkalines to damage expensive stainless-steel instruments
- ▶ Refreshing minty scent
- ▶ Easy to store

Item Number	Description	Quantity
900-0475	Tablet	64/box



Ultra Clean®

- ▶ General-purpose, nonammoniated ultrasonic cleaner
- ▶ Removes dried blood, tissue, soil, plaster, stone, pumice, and other light contaminants
- ▶ Nonflammable and nonfoaming. Supplied as powder in container
- ▶ Concentrated solution: dilute 1 part to 9 parts of water

Item Number	Description	Quantity
102-2255	1-gal Bottle	ea



Ultra Clean-L

- ▶ General-purpose, nonammoniated, and super concentrated
- ▶ Extra cleaning power and pleasant scent
- ▶ Add water to fill container; dilute 1:10 for working-strength solution
- ▶ Easy to mix: fill gallon container with water, and it's ready to use
- ▶ Free rinsing: leaves no soapy residue on instruments to contaminate sterilization process
- ▶ Concentrated: economical

Item Number	Description	Quantity
100-3185	1-gal Bottle	ea



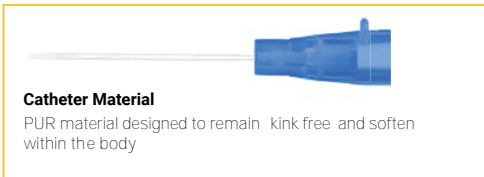
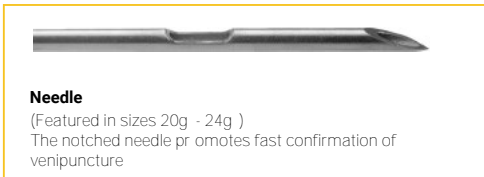
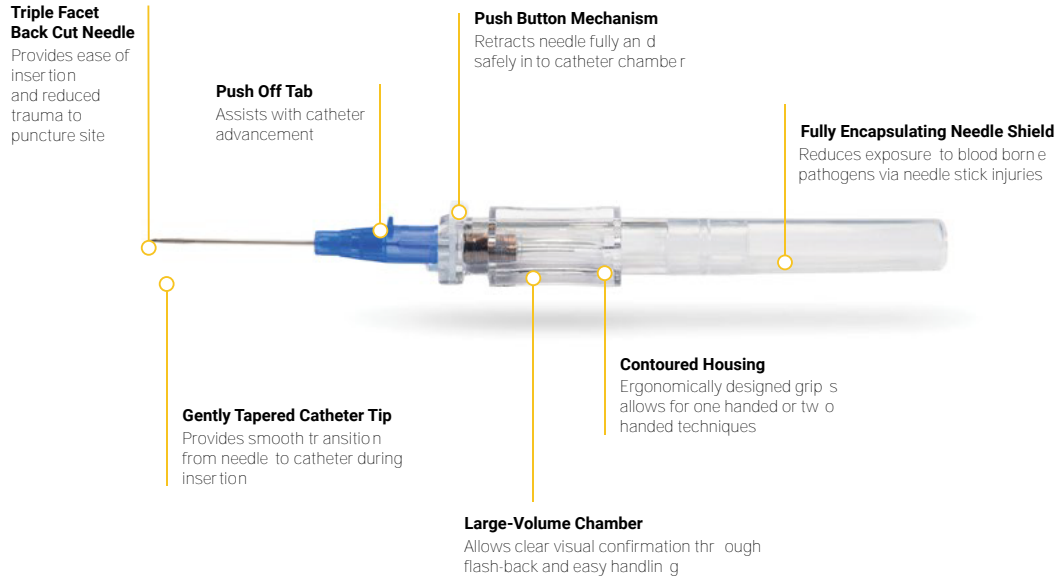
Unit Dose Ultrasonic General Purpose Cleaner

- ▶ Single-dose, super concentrated powder for use in ultrasonic cleaning units, auxiliary pans, and beakers
- ▶ Eliminates lifting and storing heavy gallon containers
- ▶ Cleans instruments directly in ultrasonic cleaning tank
- ▶ 1 packet of powder makes 1 gallon of solution

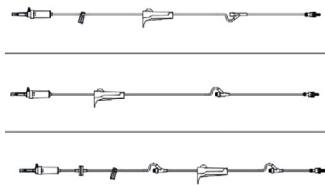
Item Number	Description	Quantity
101-0377	General Purpose Cleaner	24/box

Safety IV Catheter

From A Name You Can Trust



Item Number	Description	Quantity
(570-2586)	24G x 0.75"	50/Bx
(570-2591)	24G x 0.5"	50/Bx
(570-2587)	22G x 1"	50/Bx
(570-2588)	20G x 1.16"	50/Bx
(570-2589)	20G x 1"	50/Bx
(570-2590)	18G x 1.16"	50/Bx



Primary IV Administration Set

- ▶ Flat-top, needle-free valve with tight septum seal helps to support effective disinfection
- ▶ Metal-free for MRI compatibility
- ▶ Not made with natural rubber latex
- ▶ DEHP-free, sterile single-use

Item Number	Description	Quantity
570-0881	15 drops/mL, 73" (15 drops/mL, 73", vented, slide clamp, roller clamp, injection Y-site, rotating male Luer lock)	ea
570-0885	15 drops/mL, 86" (15 drops/mL, 86" vented, roller clamp, needle-free Y-site, rotating male Luer lock)	ea
570-0887	15 drops/mL, 105" (15 drops/mL, 105", vented, back check valve, slide clamp, 2 needle-free Y-sites, roller clamp, rotating male Luer lock)	ea



Secondary IV Administration Set

- ▶ Flat-top, needle-free valve with tight septum seal helps to support effective disinfection
- ▶ Metal-free for MRI compatibility
- ▶ Not made with natural rubber latex
- ▶ DEHP-free, sterile, single-use

Item Number	Description	Quantity
570-0883	15 drops/mL, 40" (15 drops/mL, 40", vented, roller clamp, hanger, rotating male Luer lock)	ea



Microbore Extension Set

- ▶ Flat-top, needle-free valve with tight septum seal helps to support effective disinfection
- ▶ Metal-free for MRI compatibility
- ▶ Not made with natural rubber latex
- ▶ DEHP-free, sterile, single-use

Item Number	Description	Quantity
570-0884	Microbore ext set (8", removable needle-free connector, slide clamp, rotating male Luer lock)	ea



Needle-Free Connector

- ▶ Flat-top, needle-free valve with tight septum seal helps to support effective disinfection
- ▶ Metal-free for MRI compatibility
- ▶ Not made with natural rubber latex
- ▶ DEHP-free, sterile, single-use

Item Number	Description	Quantity
570-0882	Needle-free connector	ea

“ASK ABOUT”
OUR MAXIMA®
SURGICAL INSTRUMENTS
premium surgical-grade
instruments expertly crafted
from German Stainless Steel

WOUND CLOSURE/ WOUND CARE



Wound Care Strips

- ▶ Adhesive wound closures with an exceptionally porous, spun-bond fiber backing include bilateral nylon filaments for high tensile strength
- ▶ Each size is in a color-coded package for quick and easy size identification
- ▶ Hypoallergenic: Designed for patient comfort and longer-term exposure
- ▶ Porous: Allows breathing for advanced healing and moisture control
- ▶ Not made with natural rubber latex

Item Number	Description	Quantity
900-4317	1/8" x 3"	250/box
Contains: 5 strips per envelope, 50 envelopes per box		
900-4315	1/4" x 3"	150/box
Contains: 3 strips per envelope, 50 envelopes per box		
900-4318	1/4" x 4"	500/box
Contains: 10 strips per envelope, 50 envelopes per box		
900-4316	1/4" x 1 1/2"	300/box
Contains: 6 strips per envelope, 50 envelopes per box		
900-4314	1/2" x 4"	300/box
Contains: 6 strips per envelope, 50 envelopes per box		
900-7506	1" x 4"	100/box
Contains: 4 strips per envelope, 25 envelopes per box		

Disposable Skin Stapler

- ▶ Enables the user to work with higher efficiency and assists in avoiding cross infection effectively
- ▶ Specially designed for surgical skin suturing
- ▶ Novel structure and application security allow for quick speed when sewing up during operation, modest histological reaction, and good wound-matching and healing
- ▶ No pain during removal
- ▶ Scarring is minimal

Item Number	Description	Quantity
900-7010	Skin Stapler, 35 Wide	ea
900-9734	Skin Stapler, 35 Regular	ea
900-7011	Skin Staple Remover	ea



Topical Skin Adhesive

Sterile, 0.5-mL Single-Patient-Use, Plastic Ampules
 The proven choice of wound closure with over 40 years of clinical experience, this FDA-approved liquid adhesive consists of n-butyl-2 cyanoacrylate.

- ▶ Highest bond strength of all topical tissue adhesives on the market
- ▶ Will not clog or dry out when opened
- ▶ Provides a precise, controlled application
- ▶ Inhibits growth of bacteria
- ▶ Available in dyed and clear versions
- ▶ Flexible version provides more flexible coverage for longer incisions

Item Number	Description	Quantity
112-6106	Ampule Without Tip- Clear	ea
112-6111	Ampule Without Tip – Blue	ea
570-0351	Flexible Ampule With Tip-Blue	ea
112-7158	Flexible Ampule With Tip-Blue	10/box



Silk Suture Spools Standard Brand
100 yard

Item Number	Description	Quantity
100-5000	4 1/8", Blunt	ea
100-7842	3-0	ea
100-5597	4-0	ea
102-6344	5-0	ea



Elastic Bandages With Velcro®

Non-sterile, 4½"-yd Rolls

- ▶ Elastic bandage with Velcro® brand fasteners
- ▶ Provides even compression with strength, comfort, and breathability
- ▶ Premium honeycomb-knitted material
- ▶ Not made with natural rubber latex

Item Number	Description	Quantity
900-4681	2"	10/box
900-4682	3"	10/box
900-4683	4"	10/box
900-4684	6"	10/box



Self-Adherent Bandages

Non-Sterile, 5-yd Rolls

- ▶ Self-adherent: sticks to itself, not the skin
- ▶ Comfortable porous material: pain-free removal that will not damage skin

LATEX

Item Number	Description	Quantity
570-0113	Tan, 1"	ea
900-4322	Tan, 2"	ea
900-4323	Tan, 3"	ea
900-4324	Tan, 4"	ea
900-4328	Tan, 6"	12 rolls/pkg
112-7366	Multi, 1"	30 rolls/pkg
900-4331	Multi, 2"	36 rolls/pkg
900-4332	Multi, 3"	24 rolls/pkg

NOT MADE WITH NATURAL RUBBER LATEX

Item Number	Description	Quantity
112-7355	Tan, 1"	ea
112-7357	Tan, 2"	ea
112-7358	Tan, 3"	ea
112-7359	Tan, 4"	ea
112-7362	Tan, 6"	ea
112-7363	Multi, 1"	30 rolls/pkg
112-7364	Multi, 2"	30 rolls/pkg
112-7365	Multi, 3"	24 rolls/pkg



Elastic Bandages

Non-Sterile, 4½-yd Rolls

- ▶ High cotton content to keep patients cool and comfortable
- ▶ Durable bandages can be laundered, sterilized, and reused
- ▶ Ideal for support and compression applications, such as treatment of varicosities, sprains, strains, and torn or injured ligaments
- ▶ Not made with natural rubber latex

Item Number	Description	Quantity
900-4677	2"	10 rolls/pkg
900-4678	3"	10 rolls/pkg
900-4679	4"	10 rolls/pkg
900-4680	6"	10 rolls/pkg



All-Gauze Sponges

Soft, pliable, and absorbent. Available in 3 sizes in both 8-ply and 12-ply styles. Non-sterile.

Item Number	Description	Quantity
570-2597	8 Ply, 2" x 2"	200/pkg
570-2658	12 Ply, 2" x 2"	200/pkg
570-2599	8 Ply, 3" x 3"	200/pkg
570-2648	12 Ply, 3" x 3"	200/pkg
570-2656	8 Ply, 4" x 4"	200/pkg
570-2598	12 Ply, 4" x 4"	200/pkg



Premium All-Gauze Sponges

Manufactured from 100% USP type-VII cotton gauze that is bleached and processed to established standards. Soft and pliable, it protects as a wound covering while it provides maximum absorbency.

NON-STERILE

Item Number	Description	Quantity
570-2647	8 Ply, 2" x 2"	200/pkg
570-2628	12 Ply, 2" x 2"	200/pkg
570-2640	12 Ply, 3" x 3"	200/pkg
570-2646	8 Ply, 4" x 4"	200/pkg
570-2645	12 Ply, 4" x 4"	200/pkg

STERILE

Item Number	Description	Quantity
570-2642	8 Ply, 2" x 2"	100/pkg
Contains: 2 sponges per envelope, 50 envelopes per package		
570-2631	12 Ply, 3" x 3"	80/pkg
570-2644	8 Ply, 4" x 4"	50/pkg
570-2637	12 Ply, 4" x 4"	50/pkg



Conforming Stretch Gauze Rolls

4.1-yd Rolls

- ▶ Economical knitted bandage in various widths
- ▶ High-quality materials consist of nylon, polyester, and cotton; provides light compression as it cushions and protects
- ▶ Offers softness, breathability, and alleviation of irritation
- ▶ Low lint content reduces contamination to wound site
- ▶ Improved packaging is resealable, durable, easy to store, and remains clean
- ▶ Not made with natural rubber latex

NON-STERILE

Item Number	Description	Quantity
104-2704	1"	12/bag
104-8825	2"	12/bag
104-8997	3"	12/bag
104-2728	4"	12/bag
104-9424	6"	6/bag

STERILE

Item Number	Description	Quantity
104-2739	2"	12/bag
104-9724	3"	12/bag
104-6708	4"	12/bag
104-4293	6"	6/bag



Criterion™ Non-Woven Sponges

Sterile 2's, 4 Ply

- ▶ High quality, excellent construction
- ▶ Rayon/poly-blend that is soft and gentle to the touch
- ▶ Not made with natural rubber latex
- ▶ Thicker and more absorbent than standard sponges
- ▶ Multiuse sponge that can be used for all applications of wound-care treatments
- ▶ Easy-to-open, peel-back packaging

Item Number	Description	Quantity
104-7897	2" x 2"	50/pkg
Contains: 2 sponges per package, 25 packages per box		
104-4132	3" x 3"	50/pkg
Contains: 2 sponges per package, 25 packages per box		
104-8665	4" x 4"	50/pkg
Contains: 2 sponges per package, 25 packages per box		



Gauze Pads

Highly absorbent. Can be used for general cleaning, debriding, and prepping. 100% woven cotton. Sterile 1's in peel-back packages. 12 ply

Item Number	Description	Quantity
570-2659	2" x 2"	100/pkg
570-2629	3" x 3"	100/pkg
570-2649	4" x 4"	100/pkg



Essentials Cotton Filled Sponges

Non-sterile, 100% cotton, and uniformly filled for maximum absorbency. 8 Ply.

Item Number	Description	Quantity
570-2600	2" x 2" - Filled	5000 per case



Criterion™ Non-Woven Sponges

Non-sterile, 4 Ply

- ▶ High quality, excellent construction, rayon/poly-blend that is soft and gentle to the touch
- ▶ Thicker and more absorbent than standard sponges
- ▶ Multiuse sponge that can be used for all applications of wound-care treatments
- ▶ Easy-to-open, peel-back packaging
- ▶ Not made with natural rubber latex

Item Number	Description	Quantity
104-2930	2" x 2"	200/pkg
104-2410	3" x 3"	200/pkg
104-2411	4" x 4"	200/pkg



Premium Non-Woven Sponges

Non-sterile, 4 Ply

- ▶ General-use, non-woven rayon/polyester-blend material
- ▶ Quarter fold, closed weave
- ▶ Less linting: minimizes lint contamination
- ▶ Soft and pliable: prevents irritation to mucosa
- ▶ Greater absorbency: reduces number of sponges required
- ▶ Not made with natural rubber latex

Item Number	Description	Quantity
101-9278	2" x 2"	200/pkg
101-8748	3" x 3"	200/pkg
101-4336	4" x 4"	200/pkg



Syngauze 50™

Non-sterile, 4 Ply

- ▶ General-use nonwoven material with a 70/30 blend of rayon and polyester. 47-50% more absorbent than 12-ply gauze
- ▶ Absorbs to 10 times its weight: greater absorbency reduces the number of sponges required
- ▶ Soft and pliable: prevents irritation to mucosa; allows shaping for a better fit
- ▶ Sterilizable: lint-free mesh minimizes lint contamination
- ▶ Nonraveling: less mess
- ▶ Not made with natural rubber latex

Item Number	Description	Quantity
100-2125	2" x 2"	200/pkg
101-9668	3" x 3"	200/pkg
101-4583	4" x 4"	200/pkg



Exodontia Sponges

100% cotton gauze sponges with maximal absorbency cotton inner liner. Superior and consistent quality. Available in 3 sizes.

Non-sterile Filled

Item Number	Description	Quantity
570-2636	2" x 2"	5000/case
570-2602	3" x 3"	4000/case
570-2651	4" x 4"	2000/case

Sterile Filled

570-2653	2" x 2"	200/pkg
----------	---------	---------



Premium Exodontia Sponges

Manufactured from all USP 100% cotton. Soft, absorbent, and pure white. Highest quality.

Item Number	Description	Quantity
570-2635	Non-sterile Filled	5000/case
570-2652	Sterile Filled	200/pkg



Packing Strips

5-yd Rolls

- ▶ Sterile, 100% cotton, nonfraying, nonlinting, selvage edge
- ▶ Absorbs fluid: less change of leaving foreign matter in the wound
- ▶ Not made with natural rubber latex

Item Number	Description	Quantity
104-7976	¼"	ea
104-6304	½"	ea
104-8748	1"	ea
104-6302	2"	ea

Packing Strip With Iodoform

112-5821	¼"	ea
112-5280	½"	ea



Unna's Boot

10-yd Rolls

- ▶ Cotton gauze formulated with a zinc-oxide emulsion
- ▶ Used for treating venous leg ulcers, edema, and dermatitis
- ▶ Soothes inflammation and rashes
- ▶ Not made with natural rubber latex

Item Number	Description	Quantity
100-3444	3"	ea
100-3256	4"	ea
900-7455	3" with Calamine	ea
900-7456	4" with Calamine	ea



Type VII Gauze

- ▶ Sterile, 4" x 4"
- ▶ Not made with natural rubber latex

Item Number	Description	Quantity
570-2655	8 Ply	10/pkg
570-2633	12 Ply	10/pkg
570-2638	16 Ply	10/pkg
570-2632	12 Ply, X-ray Detectable	10/pkg
570-2634	16 Ply, X-ray Detectable	10/pkg



Premium Hypoallergenic Cloth Surgical Tape

Non-sterile, 10-yd Rolls

- ▶ Reliable adhesion, highly porous
- ▶ Thin, flexible backing, gentle removal
- ▶ Not made with natural rubber latex

Item Number	Description	Quantity
101-3025	½"	24 rolls/box
101-2323	1"	12 rolls/box
101-5979	2"	6 rolls/box



Premium Hypoallergenic Transparent Surgical Tape

Non-sterile, 10-yd Rolls

- ▶ Excellent adhesion, porous, with flexible backing
- ▶ Tears easily in both directions
- ▶ Not made with natural rubber latex

Item Number	Description	Quantity
101-6655	½"	24/box
101-4645	1"	12/box
101-9226	2"	6/box



Premium Surgical Hypoallergenic Paper Tape

Non-sterile, 10-yd Rolls

- ▶ Excellent adhesion, pinked, non-fraying edges
- ▶ Strong woven backing, gentle removal
- ▶ Not made with natural rubber latex

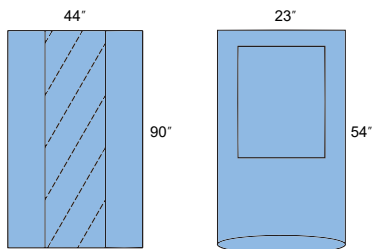
Item Number	Description	Quantity
101-4305	½"	24/box
101-9673	1"	12/box
101-1332	2"	6/box

ORAL SURGERY PROCEDURE PACKS

Drape Pack 1

- ▶ Cover, Back Table (1)
- ▶ Cover, Mayo Stand (1)

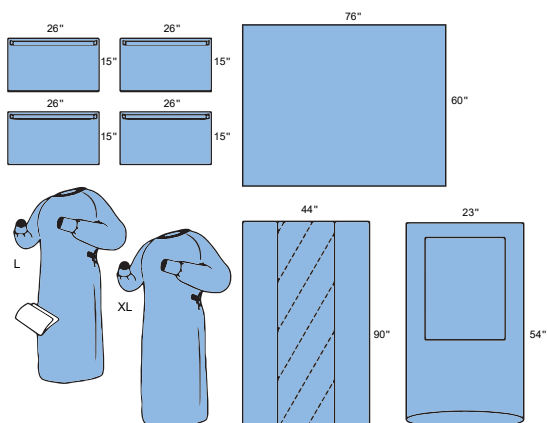
Item Number	Size	Case Quantity
570-1691	Basic Drape Pack 1	20ea/CS



Drape Pack 2

- ▶ Cover, Back Table, Zone Reinforced (1)
- ▶ Cover, Mayo Stand (1)
- ▶ Drape, Large, 76" x 60" (1)
- ▶ Drape, Utility with Adhesive (4)
- ▶ Gown, Surgical, L with Towel (1)
- ▶ Gown, Surgical, XL (1)

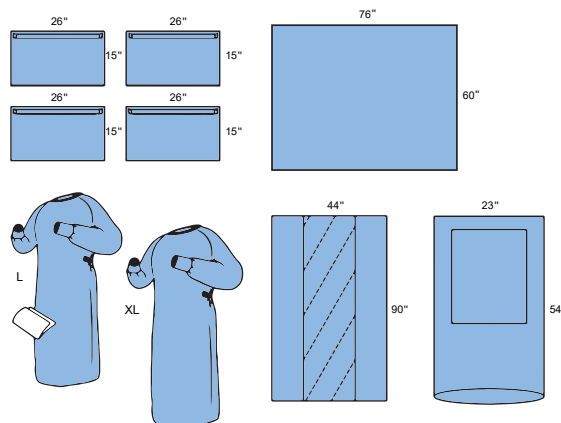
Item Number	Description	Quantity
570-1599	Drape Pack 2	4ea/CS



Drape Pack 3

- ▶ Cover, Back Table, Zone Reinforced (1)
- ▶ Cover, Mayo Stand (1)
- ▶ Drape, Half 44" x 60" (1)
- ▶ Drape, Large, 76" x 60" (1)
- ▶ Drape, Utility with Adhesive (4)
- ▶ Gown, Surgical, L with Towel (1)
- ▶ Gown, Surgical, XL (1)

Item Number	Description	Quantity
570-1600	Drape Pack 3	6ea/CS



“ASK ABOUT”

Our extensive Capital Equipment portfolio. Leverage our expertise to select state-of-the-art products that fit your existing space.

Flexible financing options.

Contact your Surgical Specialist today.

SUTURE REMOVAL KITS

Suture Removal Kit with Iris Scissors
112-5822, 50ea/CS

Hard Plastic Tray includes:

- ▶ (1) 4½" Small-Loop, Straight Metal Iris Scissors (sharp/sharp)
- ▶ (1) 4¾" Serrated Metal Forceps
- ▶ (1) 3" x 3" Gauze Pad
- ▶ (1) Large Alcohol Prep Pad



Suture Removal Kit with Littauer Scissors
570-6919, 50ea/CS

Hard Plastic Tray Includes:

- ▶ (1) 4½" Metal Littauer Scissors (hook-tipped)
- ▶ (1) 4" Metal Forceps
- ▶ (1) 3" x 3" Gauze Sponge



Utility Syringe – Curved

- ▶ Non-sterile, plastic disposable
- ▶ Multi-purpose curved tip syringe used for endo irrigation or intraoral impression delivery.



Item Number	Description	Size	Quantity
570-1402	Utility syringe, curved	50/Box	50/Bx

Lidocaine HCl 2% and Epinephrine Injection, USP 1.7 mL Anesthetic Cartridges



- ▶ Validated siliconization process; ensures smooth injection
- ▶ Meets all FDA requirements: allows total flexibility in brand selection
- ▶ Color-coded stoppers and labeling; easy identification of each anesthetic formula
- ▶ Mylar® wrap: prevents breakage
- ▶ Blister packaging: no glass/glass contact

Item Number	Description	Size	Quantity
465-1205	Lidocaine HCl 2% and EPI 1.7 mL INJ 02A0100	1:100,000 Red	50/Bx
465-0015	Lidocaine HCl 2% and EPI 1.7 mL INJ 02A0050	1:50,000 Green	50/Bx

Contains: 5 blister packs of 10 cartridges per package.

Articaine HCl 4% and Epinephrine 1.7 mL Anesthetic Cartridge



Indicated for local, infiltrative, or conductive anesthesia in both simple and complex dental procedures.

Item Number	Description	Size	Quantity
112-5510	Articaine HCl 4% and EPI 1.7 mL INJ 02A1400	1:100,000 Gold	50/Bx
112-5511	Articaine HCl 4% and EPI 1.7 mL INJ 02A1200	1:200,000 Silver	50/Bx

Contains: 5 blister packs of 10 cartridges per package.

Mepivacaine HCl 3% 1.7 mL Anesthetic Cartridges



- ▶ Validated siliconization process; ensures smooth injection
- ▶ Meets all FDA requirements: allows total flexibility in brand selection
- ▶ Color-coded stoppers and labeling; easy identification of each anesthetic formula
- ▶ Mylar® wrap prevents breakage
- ▶ Blister packaging: no glass/glass contact

Item Number	Description	Size	Quantity
467-3005	Mepivacaine HCl 3% Plain 1.7mL INJ 02A0003	Plain Tan	50/Bx

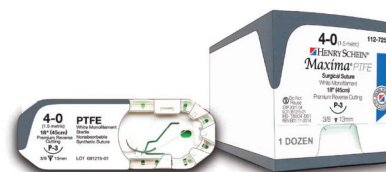
Contains: 5 blister packs of 10 cartridges per package.

Approved for sale only to licensed practitioners in the USA.

SUTURES

Maxima® PTFE Surgical Sutures

- ▶ Maxima PTFE (polytetrafluoroethylene) sutures are an excellent choice for dental bone grafting and implant procedures
- ▶ Proprietary monofilament construction reduces the potential for bacterial migration into the surgical site.
- ▶ Ultra-soft, high-density material is designed with a low surface porosity.
- ▶ Black premium needles are made from 300-series stainless steel, with greater tensile strength, high ductility, and less brittleness.
- ▶ Premium packaging in racetrack configuration for reduced memory and easier suture opening



Item Code 12/Box	Osteogenics Cytoplast**	Needle	Size	Length	Recommended Usage
112-7253	CS0418	FS-2 (19mm, 3/8 reverse cut)	2-0	18	Larger suture size with a popular needle for procedures where a longer needle is desired
112-7254	CS051819	FS-2 (19mm, 3/8 reverse cut)	3-0	18	A popular suture size and standard sized needle for general dental implant and bone grafting
112-7255	CS0518	FS-3 (16mm, 3/8 reverse cut)	3-0	18	A popular suture size and smaller needle for dental implant and bone grafting
112-7256	CS0618 RC	FS-3 (16mm, 3/8 reverse cut)	4-0	18	Most popular suture size for dental implant and bone grafting
112-7257	CS0618 PERIO	TF (13mm, ½ taper point)	4-0	18	Most popular suture size used for soft tissue grafts and delicate tissues requiring taper point needle
112-7258	-	PS-2 (19mm, 3/8 premium reverse cut)	4-0	18	Most popular suture size with the most popular sized premium needle
112-7259	CS0618 PREM	P-3 (13mm, 3/8 premium reverse cut)	4-0	18	Most popular suture size used for soft tissue grafts and delicate tissues requiring cutting point needle
112-7260	-	P-3 (13mm, 3/8 premium reverse cut)	5-0	18	Small suture size and premium needle option for delicate tissues to reduce tissue trauma
112-7261	-	P-3 (13mm, 3/8 premium 6-0 reverse cut)	6-0	18	Smaller suture size and premium needle option for delicate tissues and the least amount of tissue trauma

**Cytoplast is a registered trademark of Osteogenics.

Made in USA

FS-2 Reverse Cutting 19mm 3/8 Circle	FS-3 Reverse Cutting 16mm 3/8 Circle	P-3 Premium Reverse Cutting 13mm 3/8 Circle	PS-2 Premium Reverse Cutting 19mm 3/8 Circle	TF Taper Point 13mm 1/2 Circle

Henry Schein Surgical Sutures

- ▶ Superior Point – Needles are honed with a unique multiedged point to provide greater ease of penetration
- ▶ Superior Attachment – Needles are drilled for a seamless needle-suture juncture, providing a smoother transition with less tissue disruption
- ▶ Superior Packaging – Unique double-sterile barrier packaging ends costly waste



ABSORBABLE SUTURES

MATERIAL	NEEDLE	LENGTH	SIZE			
			12/Box	6-0	5-0	4-0
Plain Gut	C-9 24mm 1/2 Circle	18"/45cm				612G* (100-6120)
	C-3 13mm 3/8 Circle	18"/45cm		686G* (101-3192)		
	C-6 18mm 3/8 Circle	18"/45cm			(100-7771)	
	C-6 18mm 3/8 Circle	27"/70cm			H821H* (101-0668)	H822H* (101-2976)
	DSCM-13 13mm 3/8 circle	18"/45cm	1916G* (900-7485)	1915G* (900-7471)		
Chromic Gut	C-3 13mm 3/8 Circle	18"/45cm		687G* (101-8824)		
	C-6 18mm 3/8 Circle	18"/45cm			1637G* (900-7637)	1638H* (900-7636)
	C-6 18mm 3/8 Circle	27"/70cm			635H* (101-2787)	636H* (101-1582)
	HR-26 26mm 1/2 Circle	30"/76cm				G122H* (570-0466)
	DSM-13 13mm 3/8 Circle	18"/45cm			1654G* (570-0475)	
	DSM-19 19mm 3/8 Circle	18"/45cm			1637G* (570-0476)	

*Comparable Ethicon™ material.

NEEDLE CHART

REVERSE CUTTING NEEDLES		PRECISION REVERSE CUTTING NEEDLES		PRECISION CONVENTIONAL CUTTING NEEDLES	
3/8 Circle C17 _____ 12mm C22 _____ 16mm C6/DS18 _____ 18mm C7 _____ 24mm C8 _____ 26mm	1/2 Circle C43 _____ 15mm C9 _____ 24mm	3/8 Circle C1 _____ 11mm C3 _____ 13mm PC31 _____ 18mm DSM19/PC30 _____ 19mm	3/8 Circle PC1 _____ 11mm DSCM13 _____ 13mm	TAPER CUTTING NEEDLES 1/2 Circle D14 _____ 17mm HR _____ 26mm	

LEARN MORE

HenrySchein.com/ASC

DEDICATED CUSTOMER SERVICE

888-P-SCHEIN

1-800-472-4346

between the hours of 8:00 am – 8:00 pm ET

CONNECT WITH US

 facebook.com/HenryScheinMedical

 youtube.com/user/henryscheininc

 twitter.com/HScheinMedical

 linkedin.com/showcase/henry-schein-medical/



 **HENRY SCHEIN[®]**
MEDICAL