

Examination Light

AIM[®] LED

Burton combines the smart and versatile design of its existing AIM lights with the efficiency and longevity of an LED light source.

Features

- 45,000 lux (4181 fc) at 1 meter
- 4300 Kelvin color temperature
- CRI (Color Rendering Index) of 92
- LED modules with a 50,000-hour rated life
- Adjustable focus using center handle
- IEC 60601-1 / IEC 60601-1-2 / IEC 60601-2-41; CAN/CSA C22.2 60601-1 certified
- CE marked
- 5-year limited warranty
- Assembled in USA



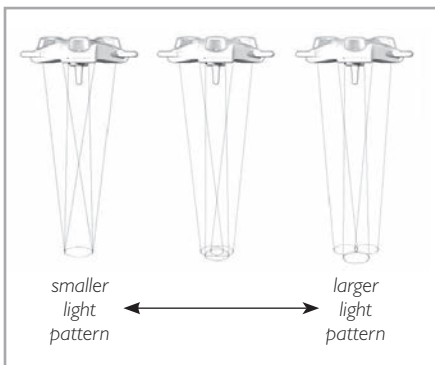
burton[®]

Examination Light

AIM[®] LED

The latest advances in state-of-the-art lighting technology to achieve incredible performance and unsurpassed value and energy efficiency.

Burton's AIM LED – the most exciting revolution in examination lighting. The AIM LED uses the latest advances in state-of-the-art lighting technology to achieve incredible performance and unsurpassed value and energy efficiency. The AIM LED provides 10% more illumination (45,000 lux / 4181 fc at 1 meter) than even the high performing AIM-50. A 92 CRI rating produces very accurate color visibility, which is important for an accurate diagnosis. With 10 times greater (50,000 hours) lamp life than traditional light source products, you will save more than \$1000 in bulb replacements alone. Additionally, the AIM LED uses 70% less energy.



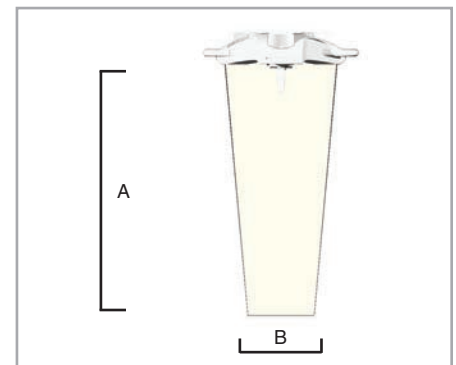
Larger and Adjustable Light Pattern

The multiple reflectors of the AIM LED can be tilted by rotating the sterilizable light handle to adjust the size and pattern of the light to the working area.



Light Pattern Free of Cast Shadows

The AIM LED has a unique Y-Shaped design, which facilitates placement of the lighthead around the practitioner's head minimizing the obstruction of light into the surgical field.



Depth of Field / Beam Diameter

		cm	in
A	Depth of Field	137	54
B	Beam Diameter D10	33	13



Efficient LED
Light Source



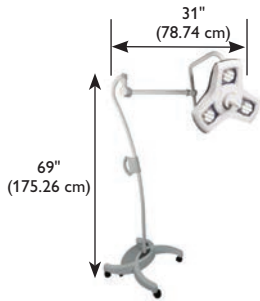
One-hand quick-release
for removable handle

Stand-by
On/Off Switch

Removable, sterilizable
handle to adjust light pattern



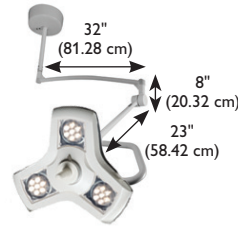
- Provides 10 times the life of halogen light sources
- Uses half the power of halogen light sources



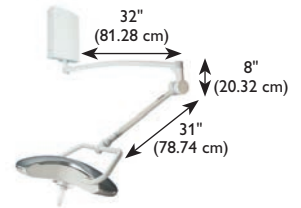
Floor Stand



Double Ceiling Mount



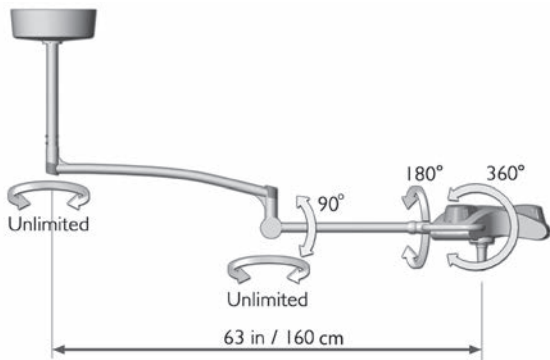
Single Ceiling Mount



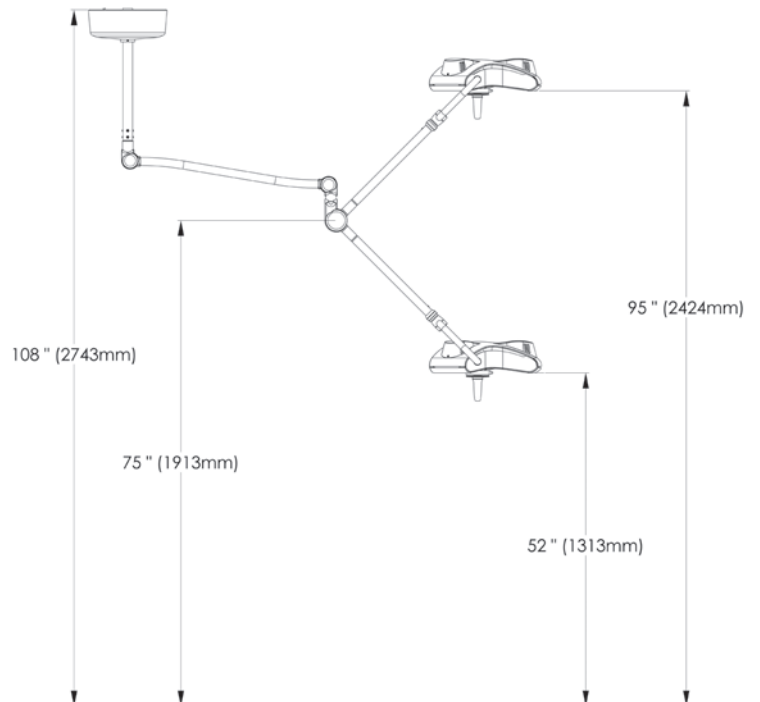
Wall Mount

AIM LED range of motion and general dimensions

The AIM LED's 360° limitless arm-and-mounting-system-rotation around vertical axes on single ceiling models is a key feature previously available only on more expensive OR lights. The arm system also provides a maximum reach of 63" (160 cm) and diameter of 10' (305 cm), allowing it to illuminate the patient from head to toe with no drift.



**Unlimited rotation on
single ceiling model**



Summary of technical data

AIM LED

Illuminance:	45,000 Lux (4181 fc) at 1 meter
Color Temperature:	4300 Kelvin
CRI (Color Rendering Index):	92
Diameter of Lighthead:	20" (51 cm)
Light Field Diameter:	13" - 15" (33 cm - 38 cm)
Depth of Illumination:	54" (137 cm)
Focusing:	Adjustable using center handle
Number of LED Modules:	3
Light Source:	Light Emitting Diodes (LED)
Rated Life of LED Lamp:	50,000-hour
Swivel Radius of Lamp Housing - Ceiling Mounted:	63" (160 cm) max.
Height Movement of Lamp Housing - Ceiling Mounted:	41" (104 cm) vertical movement
Minimum Ceiling Height/Maximum Ceiling Height:	8 ft./12 ft. (244 cm/366 cm)
Power:	84 Watts
Mounting Options:	Single Ceiling, Double Ceiling, Floor, Stand, Wall
Total Weight:	Floor version 43 lbs. (19.5 kg), single ceiling version 44 lbs. (19.9 kg)
Seismic Calculations Available:	Yes
Certifications/Approvals:	UL60601-1 / IEC 60601-1 / IEC 60601-1-2 / IEC 60601-2-41, CAN/CSA C22.2 601-1 M90, CE marked
Product Warranty:	5-year limited warranty
Origin:	Assembled in USA

Note: The optical data are nominal values based on measurements calculated according to UL/IEC performance standards at 120V

Ordering Information

AIM LED

Universal Input 100-240v	Description
ALEDFL00	Floor Stand
ALEDSC00	Single Ceiling Mount
ALEDDC00	Double Ceiling Mount
ALEDW00	Wall Mount

*SP Model refers to Spanish Language Manuals.

ACCESSORIES

Model No.	Description
1017040	Sterilizable / Autoclavable Handle
0008100PK	Disposable Handle Covers, 25/Box
1017084	42" Drop Tube

IEC Plug Type



Default (No Code):
NEMA 5-15P



01: CEE 7/7



02: AS/NZS 3112



03: BS1363

Where applicable,
add appropriate
Plug Type to the end
of the model number. †



Above example would include a CEE 7/7 plug type.



© 2019 Burton Medical. All rights reserved.
Burton Medical reserves the right to make changes in specifications and/or to discontinue any product at any time without notice or obligation and will not be liable for any consequences resulting from the use of this publication.



Burton Medical, LLC
2300 W Windsor Ct, Suite C
Addison, IL 60101 USA
Phone (800) 444-9909, Fax (800) 765-1770
Burtonmedical.com